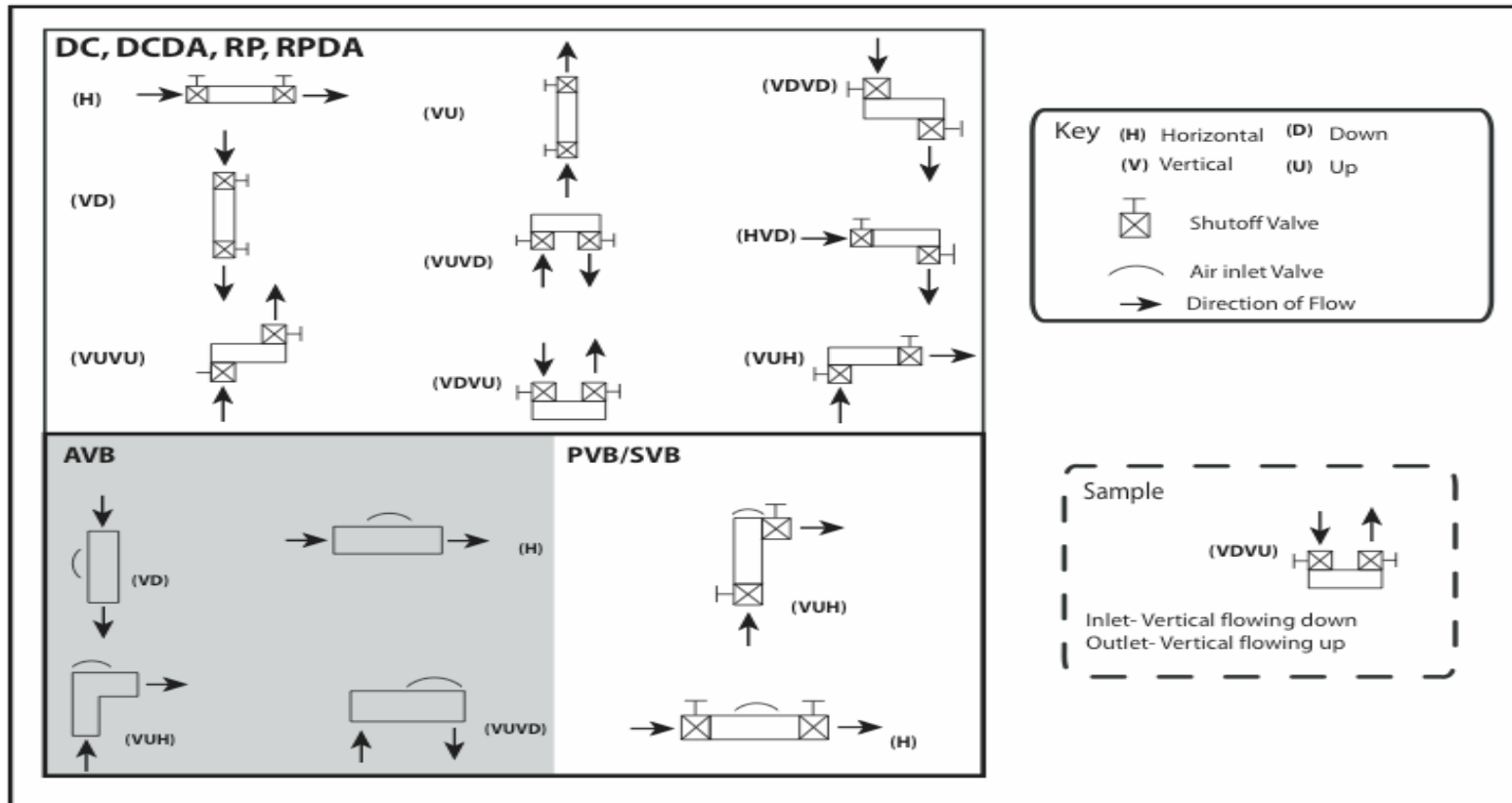


To gain Division of Drinking Water approval for use within a public drinking water system, all backflow prevention assemblies must be in-line serviceable (repairable), in-line testable and have certification through third party certifying agencies. The third party certification will consist of any combination of two laboratory or field test certifications. Acceptable third party laboratory certifying agencies are; ASSE (American Society of Sanitary Engineers), IAPMO (International Association of Plumbing/Mechanical Officials), and the University of Southern California Foundation for Cross Connection Control and Hydraulic Research (USC-FCCCHR). The USC-FCCCHR currently provides the only field testing of backflow protection assemblies.

**All backflow prevention devices must have third party certification as mentioned above.**

Every attempt has been made to ensure accuracy. If there are errors or omissions in this listing, Please contact the Division of Drinking Water at (801) 536-0089. Documentation of the listing will need to be supplied in accordance with the written provisions of the Guidance Document.

**Unless otherwise specified by the manufacturer, all assemblies are to be installed on cold potable water applications - below 110 F. These assemblies listed are approved for INDICATED ORIENTATIION ONLY. Use of spare parts other than those of the original manufacturer invalidates the USC Approval.**



	Orientation	Spare Parts Only	Model #	Sizes	U	A	A	USC Approved Edition	USC Approved Date	USC Renewed Date
<b>DOUBLE CHECK VALVE ASSEMBLIES</b>					C	P	S			
<b>Ames Company</b>										
Upgraded to 9th Ed.	H		2000B	1/2	X	X		8	5-Dec-1979	5-Dec-2000
Previous 8th Ed. Approval	H		2000B	1/2	X	X		9	15-Jun-1993	15-Jun-1999
	VU		2000B	1/2	X			9	15-Jun-1993	15-Jun-1999
	H		2000B	3/4	X	X	X	8	4-Apr-1989	4-Apr-2001
	VU		2000B	3/4	X			8	26-Aug-1992	26-Aug-2001
Upgraded to 9th Ed.	H		2000B	1	X	X	X	8	25-Feb-1987	25-Feb-1999
Previous 8th Ed. Approval	H		2000B	1	X	X		9	17-May-1994	17-May-2000
	VU		2000B	1	X			9	17-May-1994	17-May-2000
	H		2000B	1 1/4	X	X		8	30-Sep-1992	30-Sep-2001
	VU		2000B	1 1/4	X			8	30-Sep-1992	30-Sep-2001
	H		2000B	1 1/2	X	X	X	8	23-May-1990	23-May-1999
	VU		2000B	1 1/2	X		X	8	10-Mar-1992	10-Mar-2001
	H		2000B	2	X	X		8	29-Jun-1988	29-Jun-2000
	VU		2000B	2	X			8	7-Mar-1992	7-Mar-2001
	H		2000BM3	3/4	X	X	X	9	26-Mar-1996	26-Mar-1999
	VU		2000BM3	3/4	X			9	26-Mar-1996	26-Mar-1999
	H		2000CIV	4	X		X	6	14-Jan-1978	14-Jan-2002
	VU		2000CIV	4	X		X	8	10-Mar-1992	10-Mar-2001
	H		2000CIV	6	X		X	6	17-May-1978	17-May-1999
	VU		2000CIV	6	X		X	8	4-Dec-1992	4-Dec-1998
	H		2000CIV	8	X		X	6	5-Jul-1977	5-Jul-2001
	VU		2000CIV	8	X		X	8	4-Dec-1992	4-Dec-1998
	H		2000CIV	10	X		X	6	15-Mar-1979	15-Mar-2000
	VU		2000CIV	10	X		X	8	4-Dec-1992	4-Dec-1998
Formerly Model DC	H		2000-DC	10	X			7	3-Aug-1983	1-Aug-2001
Formerly Model DCA	H		2000-DCA	4	X		X	7	10-Jan-1984	10-Jan-2002
Formerly Model DCA	H		2000-DCA	6	X		X	7	10-Jan-1984	10-Jan-2002
Formerly Model DCA	H		2000-DCA	8	X		X	7	10-Jan-1984	10-Jan-2002
Formerly Model DC	H		2000-G-DC	10	X		X	7	3-Aug-1983	3-Aug-2001
Formerly Model DCA	H		2000-G-DCA	4	X		X	7	10-Jan-1984	10-Jan-2002
Formerly Model DCA	H		2000-G-DCA	6	X		X	7	10-Jan-1984	10-Jan-2002
Formerly Model DCA	H		2000-G-DCA	8	X		X	7	10-Jan-1984	10-Jan-2002
	H		2000SE	2 1/2	X		X	8	9-Sep-1992	9-Sep-2001
	H		2000SE	6	X		X	8	21-Nov-1989	21-Nov-1998
	H		2000SE	8	X		X	8	8-Sep-1988	8-Sep-2000

	Orientation	Spare Parts Only	Model #	Sizes	U S C	I A P M O	A S S E	USC Approved Edition	USC Approved Date	USC Renewed Date
	H	Y	2000SS	3/4	X		X	8	4-May-1991	4-May-2000
	H	Y	2000SS	1	X		X	8	4-May-1991	4-May-2000
	H	Y	2000SS	1 1/4	X		X	8	13-Jul-1991	13-Jul-2000
	H	Y	2000SS	1 1/2	X		X	8	12-Oct-1991	12-Oct-2000
	H	Y	2000SS	2	X		X	8	12-Oct-1991	12-Oct-2000
	H		2000SS	2 1/2	X		X	8	10-Jul-1987	10-Jul-1999
	H		2000SS	3	X		X	8	10-Jul-1987	10-Jul-1999
	H		2000SS	4	X		X	8	10-Jul-1987	10-Jul-1999
	H		2000SS	6	X		X	8	8-Sep-1988	8-Sep-2000
	H		2000SS	8	X		X	8	15-Sep-1992	15-Sep-2001
	H		2000SS	10	X		X	8	15-Feb-1997	15-Feb-2000
	H		2000SS-M	4	X			8	4-May-1991	4-May-2000
	H		2000SS-M	6	X			8	4-May-1991	4-May-2000
	VU		Colt 200	8	X		X	9	9-Feb-2002	
	H		Colt 200a	2 1/2	X		X	9	6-Oct-1998	6-Oct-2001
	VU		Colt 200a	2 1/2	X		X	9	6-Oct-1998	6-Oct-2001
	H		Colt 200a	3	X		X	9	6-Oct-1998	6-Oct-2001
	VU		Colt 200a	3	X		X	9	6-Oct-1998	6-Oct-2001
	H		Colt 200a	4	X		X	9	6-Oct-1998	6-Oct-2001
	VU		Colt 200a	4	X		X	9	6-Oct-1998	6-Oct-2001
	H		Colt 200a	6	X		X	9	2-Jul-1999	
	VU		Colt 200a	6	X		X	9	2-Jul-1999	
	VUVD		Colt 200Na	2 1/2	X		X	9	19-Mar-1999	
	VUVD		Colt 200Na	3	X		X	9	19-Mar-1999	
	VUVD		Colt 200Na	4	X		X	9	19-Mar-1999	
	VUVD		Colt 200Na	6	X		X	9	2-Jul-1999	
	H		Colt200	2 1/2	X		X	9	19-Jul-2000	
	VU		Colt200	2 1/2	X		X	9	19-Jul-2000	
	H		Colt200	3	X		X	9	19-Jul-2000	
	VU		Colt200	3	X		X	9	19-Jul-2000	
	H		Colt200	4	X		X	9	19-Jul-2000	
	VU		Colt200	4	X		X	9	19-Jul-2000	
	H		Colt200	8	X		X	9	10-Aug-2000	
	H	Y	DC	4	X			6	13-Jun-1981	13-Jun-1999
	H	Y	DC	6	X			6	13-Jun-1981	13-Jun-1999
	H	Y	DC	8	X			7	3-Aug-1983	3-Aug-2001
	VU		Maxim 200	6	X		X	9	9-Feb-2002	
	H		Maxim 200a	2 1/2	X			9	6-Oct-1998	6-Oct-2001

	Orientation	Spare Parts Only	Model #	Sizes	U	I	A	A	USC Approved Edition	USC Approved Date	USC Renewed Date
					S	P	S	S			
					C	O	E				
	VU		Maxim 200a	2 1/2	X				9	6-Oct-1998	6-Oct-2001
	H		Maxim 200a	3	X				9	6-Oct-1998	6-Oct-2001
	VU		Maxim 200a	3	X				9	6-Oct-1998	6-Oct-2001
	H		Maxim 200a	4	X				9	2-Jul-1999	
	VU		Maxim 200a	4	X				9	2-Jul-1999	
	VUVD		Maxim 200Na	2 1/2	X				9	19-Mar-1999	
	VUVD		Maxim 200Na	3	X				9	19-Mar-1999	
	VUVD		Maxim 200Na	4	X				9	2-Jul-1999	
	H		Maxim200	2 1/2	X		X		9	19-Jul-2000	
	VU		Maxim200	2 1/2	X		X		9	19-Jul-2000	
	H		Maxim200	3	X		X		9	19-Jul-2000	
	VU		Maxim200	3	X		X		9	19-Jul-2000	
	H		Maxim200	6	X		X		9	10-Aug-2000	
<b>Beeco - See Hersey/Grinnell</b>											
<b>Buckner</b>											
	H	Y	24100	3/4	X				8	31-Mar-1987	31-Mar-1999
	H	Y	24101	1	X				8	31-Mar-1987	31-Mar-1999
	H	Y	24102	1 1/4	X				8	31-Mar-1987	31-Mar-1999
	H	Y	24103	1 1/2	X				8	31-Mar-1987	31-Mar-1999
	H	Y	24104	2	X				8	31-Mar-1987	31-Mar-1999
	H	Y	24100/25	3/4	X				8	31-Mar-1987	31-Mar-1999
	H	Y	24101/25	1	X				8	31-Mar-1987	31-Mar-1999
	H	Y	24102/25	1 1/4	X				8	30-Oct-1985	30-Oct-2000
	H	Y	24103/25	1 1/2	X				8	30-Oct-1985	30-Oct-2000
	H	Y	24104/25	2	X	X			8	30-Oct-1985	30-Oct-2000
<b>Cla-Val</b>											
	H	Y	D2	3/4	X				5	18-Apr-1973	18-Apr-2000
	H	Y	D2	1	X				5	18-Apr-1973	18-Apr-2000
	H	Y	D2	1 1/4	X				5	5-Nov-1972	5-Nov-1999
	H	Y	D2	1 1/2	X				5	5-Nov-1972	5-Nov-1999
	H	Y	D4	2	X				8	21-Jun-1985	21-Jun-2000
	H	N	D4	2 1/2	X				8	21-Jun-1985	21-Jun-2000
	H	N	D4	3	X				8	21-Jun-1985	21-Jun-2000
	H	N	D4	4	X				8	21-Jun-1985	21-Jun-2000

	Orientation	Spare Parts Only	Model #	Sizes	U	I	A	A	USC Approved Edition	USC Approved Date	USC Renewed Date
					S	P	S	S			
					C	O	E				
	H	N	D4	6	X				8	21-Jun-1985	21-Jun-2000
	H	N	D4	8	X				8	21-Jun-1985	21-Jun-2000
	H	N	D4	10	X				8	21-Jun-1985	21-Jun-2000
<b>Conbraco</b>											
	H	N	1/2DC	1/2	X				9	17-Sep-1996	17-Sep-1999
	VU	N	1/2DC	1/2	X				9	17-Sep-1996	17-Sep-1999
	H	N	10DC	10	X		X		9	15-Jan-1999	15-Jan-2002
	VU	N	10DC	10	X		X		9	15-Jan-1999	15-Jan-2002
	H	N	2 1/2DC	2 1/2	X	X			9	15-Oct-1996	15-Oct-1999
	VU	N	2 1/2DC	2 1/2	X				9	15-Oct-1996	15-Oct-1999
	H	N	2 1/2DC-7	2 1/2	X				9	22-Oct-1997	22-Oct-2000
	VU	N	2 1/2DC-7	2 1/2	X				9	22-Oct-1997	22-Oct-2000
	H	N	2 1/2DC8	2 1/2	X				9	28-Sep-2000	
	VU	N	2 1/2DC8	2 1/2	X				9	28-Sep-2000	
	VUVD	N	2 1/2DCU	2 1/2	X				9	9-Apr-1997	9-Apr-2000
	VUVD	N	2 1/2DCU	2 1/2	X				9	9-Apr-1997	9-Apr-2000
	H	N	3DC	3	X	X			9	15-Oct-1996	15-Oct-1999
	VU	N	3DC	3	X				9	15-Oct-1996	15-Oct-1999
	H	N	3DC7	3	X				9	22-Oct-1997	22-Oct-2000
	VU	N	3DC7	3	X				9	22-Oct-1997	22-Oct-2000
	H	N	3DC8	3	X				9	28-Sep-2000	
	VU	N	3DC8	3	X				9	28-Sep-2000	
	VUVD	N	3DCU	3	X	X			9	9-Apr-1997	9-Apr-2000
	VUVD	N	3DCU	3	X				9	9-Apr-1997	9-Apr-2000
	H	N	40-100-02	3	X				8	7-Apr-1987	7-Apr-1999
	H	N	40-100-03	3	X				8	7-Apr-1987	7-Apr-1999
	H	N	40-100-05	3	X				8	7-Dec-1994	7-Dec-2000
	H	N	40-103-02	1/2	X				8	30-Apr-1991	30-Apr-2000
	H	N	40-104-02	3/4	X	X			8	16-Mar-1985	16-Mar-2000
	H	N	40-104-A2	3/4	X				8	20-Jun-1989	20-Jun-2001
	H	N	40-104-A2T	3/4	X		X		8	24-Mar-1988	24-Mar-2000
Formerly 40-104-99T	H	N	40-104-T2	3/4	X		X		8	26-Jun-1992	26-Jun-2001
	H	N	40-104-TC2	3/4	X		X		8	29-Nov-1994	29-Nov-2000
	H	N	40-105-02	1	X	X			8	16-Mar-1985	16-Mar-2000
	H	N	40-105-A2	1	X				8	20-Jun-1989	20-Jun-2001
	H	N	40-105-A2T	1	X		X		8	24-Mar-1988	24-Mar-2000
Formerly 40-105-99T	H	N	40-105-T2	1	X		X		8	26-Jun-1992	26-Jun-2001

	Orientation	Spare Parts Only	Model #	Sizes	U S C	I A P M O	A S S E	USC Approved Edition	USC Approved Date	USC Renewed Date
	H	N	40-105-TC2	1	X		X	8	29-Nov-1994	29-Nov-2000
	H	N	40-106-02	1 1/4	X			8	5-Apr-1988	5-Apr-2000
	H	N	40-106-A2	1 1/4	X			8	20-Jun-1989	20-Jun-2001
	H	N	40-106-A2T	1 1/4	X			8	21-May-1989	21-May-2001
Formerly 40-106-99T	H	N	40-106-T2	1 1/4	X		X	8	8-Oct-1992	8-Oct-1998
	H	N	40-107-02	1 1/2	X	X		8	16-Mar-1985	16-Mar-2000
	H	N	40-107-A2	1 1/2	X			8	21-May-1989	21-May-2001
	H	N	40-107-A2T	1 1/2	X			8	21-May-1989	21-May-2001
Formerly 40-107-99T	H	N	40-107-T2	1 1/2	X		X	8	8-Oct-1992	8-Oct-1998
	H	N	40-108-02	2	X	X		8	16-Mar-1985	16-Mar-2000
	H	N	40-108-A2	2	X			8	21-May-1989	21-May-2001
	H	N	40-108-A2T	2	X			8	21-May-1989	21-May-2001
Formerly 40-108-99T	H	N	40-108-T2	2	X		X	8	8-Oct-1992	8-Oct-1998
	H	N	40-109-02	2 1/2	X	X		8	7-Apr-1987	7-Apr-1999
	H	N	40-109-03	2 1/2	X			8	7-Apr-1987	7-Apr-1999
	H	N	40-109-05	2 1/2	X			8	7-Dec-1994	7-Dec-2000
	H	N	40-10A-02	4	X			8	7-Apr-1987	7-Apr-1999
	H	N	40-10A-03	4	X			8	7-Apr-1987	7-Apr-1999
	H	N	40-10A-05	4	X			8	7-Dec-1994	7-Dec-2000
	H	N	40-10A-06	4	X			8	31-Jan-1996	31-Jan-2002
	H	N	40-10C-02	6	X			8	7-Apr-1987	7-Apr-1999
	H	N	40-10C-03	6	X			8	7-Apr-1987	7-Apr-1999
	H	N	40-10C-05	6	X			8	7-Dec-1994	7-Dec-2000
	H	N	40-10C-06	6	X			8	31-Jan-1996	31-Jan-2002
	H	N	40-10E-02	8	X			8	21-Oct-1987	21-Oct-1999
	H	N	40-10E-03	8	X			8	21-Oct-1987	21-Oct-1999
	H	N	40-10E-06	8	X			8	31-Jan-1996	31-Jan-2002
	H	N	40-10G-02	10	X		X	8	12-Apr-1989	12-Apr-2001
	H	N	40-10G-03	10	X			8	12-Apr-1989	12-Apr-2001
	H	N	40-10G-06	10	X			8	31-Jan-1996	31-Jan-2002
	H	N	4DC	4	X	X		9	15-Oct-1996	15-Oct-1999
	VU	N	4DC	4	X			9	15-Oct-1996	15-Oct-1999
	H	N	4DC7	4	X			9	22-Oct-1997	22-Oct-2000
	VU	N	4DC7	4	X			9	22-Oct-1997	22-Oct-2000
	H	N	4DC8	4	X			9	28-Sep-2000	
	VU	N	4DC8	4	X			9	28-Sep-2000	
	VUVD	N	4DCU	4	X	X		9	9-Apr-1997	9-Apr-2000
	H	N	6DC	6	X	X		9	15-Oct-1996	15-Oct-1999

	Orientation	Spare Parts Only	Model #	Sizes	U	A	A	USC Approved Edition	USC Approved Date	USC Renewed Date
					S	P	S			
					C	O	E			
	VU	N	6DC	6	X			9	15-Oct-1996	15-Oct-1999
	H	N	6DC7	6	X			9	22-Oct-1997	22-Oct-2000
	VU	N	6DC7	6	X			9	22-Oct-1997	22-Oct-2000
	H	N	6DC8	6	X			9	28-Sep-2000	
	VU	N	6DC8	6	X			9	28-Sep-2000	
	VUVD	N	6DCU	6	X	X		9	9-Apr-1997	9-Apr-2000
	H	N	8DC	8	X			9	15-Jan-1999	15-Jan-2002
	VU	N	8DC	8	X			9	15-Jan-1999	15-Jan-2002
	H	N	8DC8	8	X			9	28-Sep-2000	
	VU		8DC8	8	X			9	28-Sep-2000	
<b>Febco</b>										
	H	Y	805	3/4	X		X	4	28-Apr-1970	28-Apr-2000
	H	Y	805	1	X		X	4	28-Apr-1970	28-Apr-2000
	H	Y	805	1 1/2	X		X	4	28-Apr-1970	28-Apr-2000
	H	Y	805	2	X		X	4	28-Apr-1970	28-Apr-2000
	H	Y	805	3	X			4	25-Oct-1969	25-Oct-1999
	H	Y	805	4	X			4	25-Oct-1969	25-Oct-1999
	H	N	805Y	3/4	X	X	X	6	12-May-1978	12-May-1999
	H	N	805Y	1	X	X	X	6	12-May-1978	12-May-1999
	H	N	805Y	1 1/2	X	X	X	6	4-Jan-1979	4-Jan-2000
	H	N	805Y	2	X	X	X	6	4-Jan-1979	4-Jan-2000
	H	Y	805Y	2 1/2	X			6	6-Mar-1979	6-Mar-2000
	H	Y	805Y	3	X		X	6	3-Aug-1978	3-Aug-1999
	H	Y	805Y	4	X			6	3-Aug-1978	3-Aug-1999
Formerly 805	H	Y	805Y	6	X			5	25-Aug-1973	25-Aug-2000
Formerly 805	H	Y	805Y	8	X			5	25-Aug-1973	25-Aug-2000
Formerly 805	H	Y	805Y	10	X			5	30-May-1974	30-May-2001
	H	N	805YB	3/4	X		X	8	3-May-1990	3-May-1999
	VU	N	805YB	3/4	X		X	8	15-Apr-1992	15-Apr-2001
Formerly 805 Type YD	H	N	805YD	2 1/2	X	X	X	7	30-May-1983	30-May-2001
Formerly 805 Type YD	H	N	805YD	3	X	X	X	7	30-May-1983	30-May-2001
Formerly 805 Type YD	H	N	805YD	4	X	X	X	7	30-May-1983	30-May-2001
Formerly 805 Type YD	H	N	805YD	6	X	X	X	7	30-May-1983	30-May-2001
Formerly 805 Type YD	H	N	805YD	8	X	X	X	7	30-May-1983	30-May-2001
Formerly 805 Type YD	H	N	805YD	10	X	X	X	7	30-May-1983	30-May-2001
	H	N	805YR	3/4	X			8	21-Jan-1989	21-Jan-2001
	H	N	805YR	1	X			8	21-Jan-1989	21-Jan-2001

	Orientation	Spare Parts Only	Model #	Sizes	U S C	I A P M O	A S S E	USC Approved Edition	USC Approved Date	USC Renewed Date
	H	N	830H	4	X		X	9	23-Apr-2000	
	VU	N	830H	4	X		X	9	1-Jun-2000	
	H	N	850	1/2	X		X	9	20-Nov-1993	20-Nov-1999
	VD	N	850	1/2	X		X	9	12-Apr-1996	12-Apr-1999
	VU	N	850	1/2	X		X	9	16-Dec-1995	16-Dec-2001
	H	N	850	3/4	X		X	9	20-Nov-1993	20-Nov-1999
	VD	N	850	3/4	X		X	9	9-Apr-1996	9-Apr-1999
	VU	N	850	3/4	X		X	9	16-Dec-1995	16-Dec-2001
	H	N	850	1	X		X	9	20-Nov-1993	20-Nov-1999
	VD	N	850	1	X			9	13-Jan-1996	13-Jan-2002
	VU	N	850	1	X		X	9	6-Sep-1996	6-Sep-1999
	H	N	850	1 1/4	X			9	20-Nov-1993	20-Nov-1999
	VD	N	850	1 1/4	X		X	9	12-Apr-1996	12-Apr-1999
	VU	N	850	1 1/4	X		X	9	16-Jul-1995	16-Jul-2001
	H	N	850	1 1/2	X		X	9	18-Feb-1994	18-Feb-2000
	VD	N	850	1 1/2	X			9	12-Apr-1996	12-Apr-1999
	VU	N	850	1 1/2	X		X	9	16-Jul-1995	16-Jul-2001
	H	N	850	2	X		X	9	18-Feb-1994	18-Feb-2000
	VD	N	850	2	X			9	9-Apr-1996	9-Apr-1999
	VU	N	850	2	X		X	9	16-Jul-1995	16-Jul-2001
	H	N	850	2 1/2	X		X	8	13-Mar-1993	13-Mar-1999
	VU	N	850	2 1/2	X		X	8	18-Mar-1993	18-Mar-1999
	H	N	850	3	X		X	8	13-Mar-1993	13-Mar-1999
	VU	N	850	3	X		X	8	18-Mar-1993	18-Mar-1999
	H	N	850	4	X	X	X	8	3-May-1990	3-May-1999
	VU	N	850	4	X		X	8	6-Feb-1991	6-Feb-2000
	H	N	850	6	X	X	X	8	3-May-1990	3-May-1999
	VU	N	850	6	X		X	8	30-May-1991	30-May-2000
	H	N	850	8	X		X	8	3-Oct-1991	3-Oct-2000
	VU	N	850	8	X		X	8	13-Oct-1992	13-Oct-1998
	H	N	850F	3/4	X		X	9	27-Sep-1997	27-Sep-2000
	VD	N	850F	3/4	X			9	27-Sep-1997	27-Sep-2000
	VU	N	850F	3/4	X		X	9	27-Sep-1997	27-Sep-2000
	H	N	850U	1/2	X		X	9	11-Oct-1994	11-Oct-2000
	VD	N	850U	1/2	X		X	9	15-Oct-1996	15-Oct-1999
	VU	N	850U	1/2	X		X	9	16-Dec-1995	16-Dec-2001
	H	N	850U	3/4	X		X	9	7-Mar-1995	7-Mar-2001
	VD	N	850U	3/4	X		X	9	15-Oct-1996	15-Oct-1999

	Orientation	Spare Parts Only	Model #	Sizes	U	I	A	A	USC Approved Edition	USC Approved Date	USC Renewed Date
					S	P	S	S			
					C	O	E				
	VU	N	850U	3/4	X		X		9	16-Dec-1995	16-Dec-2001
	H	N	850U	1	X		X		9	3-Aug-1995	3-Aug-2001
	VD	N	850U	1	X		X		9	13-Jan-1996	13-Jan-2002
	VU	N	850U	1	X		X		9	15-Oct-1996	15-Oct-1999
	H	N	850U	1 1/4	X		X		9	11-Oct-1994	11-Oct-2000
	VD	N	850U	1 1/4	X		X		9	15-Oct-1996	15-Oct-1999
	VU	N	850U	1 1/4	X		X		9	3-Aug-1995	3-Aug-2001
	H	N	850U	1 1/2	X		X		9	11-Oct-1994	11-Oct-2000
	VD	N	850U	1 1/2	X		X		9	15-Oct-1996	15-Oct-1999
	VU	N	850U	1 1/2	X		X		9	3-Aug-1995	3-Aug-2001
	H	N	850U	2	X		X		9	11-Oct-1994	11-Oct-2000
	VD	N	850U	2	X		X		9	15-Oct-1996	15-Oct-1999
	VU	N	850U	2	X		X		9	3-Aug-1995	3-Aug-2001
	VUVD	N	870	2 1/2	X		X		8	9-Mar-1991	9-Mar-2000
	VUVD	N	870	3	X		X		8	9-Mar-1991	9-Mar-2000
	VUVD	N	870	4	X		X		8	3-May-1990	3-May-1999
	VUVD	N	870	6	X		X		8	3-May-1990	3-May-1999
	VUVD	N	870	8	X				8	23-May-1990	23-May-1999
	VUVD	N	870	10	X				8	3-Oct-1992	3-Oct-1998
	VUVD	N	870V	2 1/2	X				8	7-Mar-1992	7-Mar-2001
	VUVU	N	870V	2 1/2	X				8	7-Mar-1992	7-Mar-2001
	VUVD	N	870V	3	X				8	7-Mar-1992	7-Mar-2001
	VUVU	N	870V	3	X				8	7-Mar-1992	7-Mar-2001
	VUVD	N	870V	4	X	X			8	7-Mar-1992	7-Mar-2001
	VUVU	N	870V	4	X	X			8	7-Mar-1992	7-Mar-2001
	VUVD	N	870V	6	X	X			8	7-Mar-1992	7-Mar-2001
	VUVU	N	870V	6	X				8	7-Mar-1992	7-Mar-2001
	VUVD	N	870V	8	X		X		8	5-Jan-1993	5-Jan-2002
	VUVU	N	870V	8	X		X		8	5-Jan-1993	5-Jan-2002
	VUVD	N	870V	10	X		X		8	10-Jul-1993	10-Jul-1999
	VUVU	N	870V	10	X		X		8	10-Jul-1993	10-Jul-1999
<b>Flomatic</b>											
	H	N	DCV	3/4	X				8	3-May-1990	3-May-1999
	H	N	DCV	1	X				8	3-May-1990	3-May-1999
	H	N	DCV	1 1/2	X				8	9-May-1991	9-May-2000
	H	N	DCV	2	X				8	9-May-1991	9-May-2000
	H	N	DCV	2 1/2	X				8	13-Feb-1993	13-Feb-1999

	Orientation	Spare Parts Only	Model #	Sizes	U S C	I A P M O	A S S E	USC Approved Edition	USC Approved Date	USC Renewed Date
	H	N	DCV	3	X			8	13-Feb-1993	13-Feb-1999
	H	N	DCV	4	X			9	30-Jun-1995	30-Jun-2001
	H	N	DCV	6	X			9	30-Jan-1998	30-Jan-2001
	H	N	DCV	8	X			9	8-Nov-2000	
	H	N	DCVE	3/4	X			8	6-Jun-1997	6-Jun-2000
	H	N	DCVE	1	X			8	6-Jun-1997	6-Jun-2000
	H	N	DCVE	1 1/2	X			8	6-Jun-1997	6-Jun-2000
	H	N	DCVE	2	X			8	6-Jun-1997	6-Jun-2000
<b>Hersey/Grinnell</b>										
	H	Y	2	3	X			5	26-Dec-1974	26-Dec-2001
	H	Y	2	4	X			5	26-Dec-1974	26-Dec-2001
	H	Y	2	6	X			5	21-Dec-1974	21-Dec-2001
	H	Y	2	8	X			6	5-Jul-1977	5-Jul-2001
	H	Y	2	10	X			6	18-Feb-1978	18-Feb-1999
<b>Watts</b>										
	H	N	007	2 1/2	X	X	X	8	29-Sep-1986	29-Sep-2001
	VU	N	007	2 1/2	X		X	8	26-Aug-1992	26-Aug-2001
	H	N	007	3	X	X	X	8	29-Sep-1986	29-Sep-2001
	VU	N	007	3	X		X	8	26-Aug-1992	26-Aug-2001
	H	N	007M1PCQT	3/4	X			8	9-Dec-1989	9-Dec-1998
	H	N	007M1PCQT	1	X			8	9-Dec-1989	9-Dec-1998
	H	Y	007M1PCQT	1 1/2	X			8	26-Sep-1990	26-Sep-1999
	H	N	007M1PCQT	2	X			8	26-Sep-1990	26-Sep-1999
	H	Y	007M1QT	3/4	X	X	X	8	25-Feb-1987	25-Feb-1999
Upgraded to 9th Ed.	H	N	007M1QT	1	X	X		8	25-Feb-1987	25-Feb-1999
Previous 8th Ed. Approval	H	N	007M1QT	1	X			9	17-May-1994	17-May-2000
	VU	N	007M1QT	1	X			9	17-May-1994	17-May-2000
	H	Y	007M1QT	1 1/2	X			8	29-Jun-1988	29-Jun-2000
	H	N	007M1QT	2	X	X		8	29-Jun-1988	29-Jun-2000
	VU	N	007M1QT	2	X			8	7-Mar-1992	7-Mar-2001
	H	N	007M2PCQT	1 1/4	X			8	8-Dec-1992	8-Dec-1998
	VU	N	007M2PCQT	1 1/4	X			8	8-Dec-1992	8-Dec-1998
	H	N	007M2PCQT	1 1/2	X			8	11-Sep-1990	11-Sep-1999
	H	N	007M2QT	3/4	X	X	X	8	4-Apr-1989	4-Apr-2001
	VU	N	007M2QT	3/4	X			8	26-Aug-1992	26-Aug-2001
	H	N	007M2QT	1 1/4	X	X		8	30-Sep-1992	30-Sep-2001

	Orientation	Spare Parts Only	Model #	Sizes	U	I	A	A	USC Approved Edition	USC Approved Date	USC Renewed Date
					S	P	S	S			
					C	O	E				
	VU	N	007M2QT	1 1/4	X				8	30-Sep-1992	30-Sep-2001
	H	N	007M2QT	1 1/2	X	X	X		8	23-May-1990	23-May-1999
	VU	N	007M2QT	1 1/2	X		X		8	10-Mar-1992	10-Mar-2001
	H	N	007M3QT	3/4	X	X	X		9	17-Oct-1995	17-Oct-1998
	VU	N	007M3QT	3/4	X		X		9	17-Oct-1995	17-Oct-1998
	H	N	007PCQT	1/2	X				8	16-Feb-1991	16-Feb-2000
	H	Y	007PCQT	1 1/2	X				8	26-Sep-1990	26-Sep-1999
	H	Y	007PCQT	2	X				8	26-Sep-1990	26-Sep-1999
Upgraded to 9th Ed.	H	N	007QT	1/2	X		X		8	5-Dec-1989	5-Dec-2001
Previous 8th Ed. Approval	H	N	007QT	1/2	X		X		9	15-Jun-1993	15-Jun-1999
	H	Y	007QT	3/4	X				7	10-Jan-1984	10-Jan-2002
	H	Y	007QT	1	X				7	10-Jan-1984	10-Jan-2002
Upgraded to 9th Ed.	VU	N	007QT`	1/2	X		X		8	18-Apr-1992	18-Apr-2001
Previous 8th Ed. Approval	VU	N	007QT`	1/2	X		X		9	15-Jun-1993	15-Jun-1999
Upgraded to 9th Ed.	H	Y	007QT`	1 1/2	X				7	20-Jul-1984	20-Jul-1999
Upgraded to 9th Ed.	H	Y	007QT`	2	X				7	20-Jul-1984	20-Jul-1999
	H	Y	007SSM1PCQT	3/4	X				8	9-Dec-1989	9-Dec-1998
	H	Y	007SSM1PCQT	1	X				8	9-Dec-1989	9-Dec-1998
	H	Y	007SSM1QT	3/4	X				8	25-Feb-1987	25-Feb-1999
	H	Y	007SSM1QT	1	X	X			8	25-Feb-1987	25-Feb-1999
	H	Y	007SSPCQT	1 1/2	X				8	26-Sep-1990	26-Sep-1999
	H	Y	007SSPCQT	2	X				8	26-Sep-1990	26-Sep-1999
	H	Y	007SSQT	3/4	X				7	10-Jan-1984	10-Jan-2002
	H	Y	007SSQT	1	X				7	10-Jan-1984	10-Jan-2002
	H	Y	007SSQT	1 1/2	X				7	20-Jul-1984	20-Jul-1999
	H	Y	007SSQT	2	X				7	20-Jul-1984	20-Jul-1999
	H	Y	700	2 1/2	X				5	9-Jan-1977	9-Jan-2001
	H	Y	700	3	X				5	9-Jan-1977	9-Jan-2001
	H	N	709	2 1/2	X	X			7	11-Jun-1982	11-Jun-2000
	H	N	709	3	X	X			7	11-Jun-1982	11-Jun-2000
	H	N	709	4	X	X	X		6	14-Jan-1978	14-Jan-2002
	VU	N	709	4	X		X		8	10-Mar-1992	10-Mar-2001
	H	N	709	6	X	X			6	17-May-1978	17-May-1999
	VU	N	709	6	X				8	4-Dec-1992	4-Dec-1998
	H	N	709	8	X	X	X		6	5-Jul-1977	5-Jul-2001
	VU	N	709	8	X		X		8	4-Dec-1992	4-Dec-1998
	H	N	709	10	X	X			6	15-Mar-1979	15-Mar-2000
	VU	N	709	10	X				8	4-Dec-1992	4-Dec-1998

	Orientation	Spare Parts Only	Model #	Sizes	U S C	I A P M O	A S S E	USC Approved Edition	USC Approved Date	USC Renewed Date
	H	N	709BB	2 1/2	X			6	19-Jul-1978	19-Jul-1999
	H	N	709BB	3	X			6	19-Jul-1978	19-Jul-1999
	H	Y	709QT	3/4	X			6	3-Aug-1978	3-Aug-1999
	H	Y	709QT	1	X			6	3-Aug-1978	3-Aug-1999
	H	Y	709QT	1 1/2	X			6	26-Apr-1978	26-Apr-1999
	H	Y	709QT	2	X			6	26-Apr-1978	26-Apr-1999
	H	N	709QT-FDA	2 1/2	X			8	29-Sep-1986	29-Sep-2001
	H	N	709QT-FDA	3	X			8	29-Sep-1986	29-Sep-2001
	H	N	709QT-FDA	4	X			8	29-Sep-1986	29-Sep-2001
	H	N	709QT-FDA	6	X			8	29-Sep-1986	29-Sep-2001
	H	N	709QT-FDA	8	X			8	29-Sep-1986	29-Sep-2001
	H	N	709QT-FDA	10	X			8	29-Sep-1986	29-Sep-2001
	VUVD	N	719AQT	1/2	X	X	X	9	3-Oct-2001	
	VUVD	N	719AQT	1	X	X	X	9	3-Oct-2001	
	VUVD	N	719AQT	1 1/4	X	X	X	9	3-Oct-2001	
	VUVD	N	719AQT	1 1/2	X	X	X	9	3-Oct-2001	
	VUVD	N	719AQT	2	X	X	X	9	3-Oct-2001	
	H	N	719QT	1/2	X	X	X	9	3-Oct-2001	
	VD	N	719QT	1/2	X			9	3-Oct-2001	
	VU	N	719QT	1/2	X			9	3-Oct-2001	
	H	N	719QT	3/4	X	X	X	9	3-Oct-2001	
	VD	N	719QT	3/4	X			9	3-Oct-2001	
	VU	N	719QT	3/4	X			9	3-Oct-2001	
	H	N	719QT	1	X	X	X	9	3-Oct-2001	
	VD	N	719QT	1	X			9	3-Oct-2001	
	VU	N	719QT	1	X			9	3-Oct-2001	
	H	N	719QT	1 1/4	X	X	X	9	3-Oct-2001	
	VD	N	719QT	1 1/4	X			9	3-Oct-2001	
	VU	N	719QT	1 1/4	X			9	3-Oct-2001	
	H	N	719QT	1 1/2	X	X	X	9	3-Oct-2001	
	VD	N	719QT	1 1/2	X			9	3-Oct-2001	
	VU	N	719QT	1 1/2	X			9	3-Oct-2001	
	H	N	719QT	2	X	X	X	9	3-Oct-2001	
	VD	N	719QT	2	X			9	3-Oct-2001	
	VU	N	719QT	2	X			9	3-Oct-2001	
	H	N	719QTR10	1/2	X	X		9	3-Oct-2001	
	VD	N	719QTR10	1/2	X			9	3-Oct-2001	
	VU	N	719QTR10	1/2	X			9	3-Oct-2001	

	Orientation	Spare Parts Only	Model #	Sizes	U	I	A	A	USC Approved Edition	USC Approved Date	USC Renewed Date
					S	P	S	S			
					C	O	E				
	H	N	719QTR10	3/4	X	X			9	3-Oct-2001	
	VD	N	719QTR10	3/4	X				9	3-Oct-2001	
	VU	N	719QTR10	3/4	X				9	3-Oct-2001	
	H	N	757	2 1/2	X		X		9	28-Sep-2000	
	VU	N	757	2 1/2	X		X		9	28-Sep-2000	
	H	N	757	3	X		X		9	28-Sep-2000	
	VU	N	757	3	X		X		9	28-Sep-2000	
	H	N	757	4	X		X		9	28-Sep-2000	
	VU	N	757	4	X		X		9	28-Sep-2000	
	H	N	757	8	X		X		9	15-Sep-2000	
	VU	N	757	8	X		X		9	9-Feb-2002	
	H	N	757a	2 1/2	X		X		9	6-Oct-1998	6-Oct-2001
	VU	N	757a	2 1/2	X		X		9	6-Oct-1998	6-Oct-2001
	H	N	757a	3	X		X		9	6-Oct-1998	6-Oct-2001
	VU	N	757a	3	X		X		9	6-Oct-1998	6-Oct-2001
	H	N	757a	4	X		X		9	6-Oct-1998	6-Oct-2001
	VU	N	757a	4	X		X		9	6-Oct-1998	6-Oct-2001
	H	N	757a	6	X		X		9	2-Jul-1999	
	VU	N	757a	6	X		X		9	2-Jul-1999	
	VUVD	N	757Na	2 1/2	X				9	19-Mar-1999	
	VUVD	N	757Na	3	X				9	19-Mar-1999	
	VUVD	N	757Na	4	X				9	19-Mar-1999	
	VUVD	N	757Na	6	X				9	2-Jul-1999	
	H	N	767	2 1/2	X		X		9	28-Sep-2000	
	VU	N	767	2 1/2	X		X		9	28-Sep-2000	
	H	N	767	3	X		X		9	28-Sep-2000	
	VU	N	767	3	X		X		9	28-Sep-2000	
	H	N	767	6	X		X		9	15-Sep-2000	
	VU	N	767	6	X		X		9	9-Feb-2002	
	H	N	767a	2 1/2	X		X		9	6-Oct-1998	6-Oct-2001
	VU	N	767a	2 1/2	X		X		9	6-Oct-1998	6-Oct-2001
	H	N	767a	3	X		X		9	6-Oct-1998	6-Oct-2001
	VU	N	767a	3	X		X		9	6-Oct-1998	6-Oct-2001
	H	N	767a	4	X		X		9	2-Jul-1999	
	VU	N	767a	4	X		X		9	2-Jul-1999	
	VUVD	N	767Na	2 1/2	X				9	19-Mar-1999	
	VUVD	N	767Na	3	X				9	19-Mar-1999	
	VUVD	N	767Na	4	X				9	2-Jul-1999	

	Orientation	Spare Parts Only	Model #	Sizes	U S C	I A P M O	A S S E	USC Approved Edition	USC Approved Date	USC Renewed Date
	H	Y	770	4	X			8	19-May-1988	19-May-2000
	H	Y	770	8	X			8	12-Jan-1989	12-Jan-2001
	H	Y	770QTFDA	4	X			8	11-Jan-1989	12-Jan-2001
	H	Y	770QTFDA	8	X			8	11-Jan-1989	12-Jan-2001
	H	Y	772	4	X			8	30-Jun-1988	30-Jun-2000
	H	Y	772	10	X			8	12-Jan-1989	12-Jan-2001
	H	Y	774	3/4	X		X	8	4-May-1991	4-May-2000
	H	Y	774	1	X		X	8	4-May-1991	4-May-2000
	H	Y	774	1 1/4	X		X	8	13-Jul-1991	13-Jul-2000
	H	Y	774	1 1/2	X		X	8	12-Oct-1991	12-Oct-2000
	H	N	774	2 1/2	X		X	8	10-Jul-1987	10-Jul-1999
	H	N	774	3	X		X	8	10-Jul-1987	10-Jul-1999
	H	N	774	4	X		X	8	10-Jul-1987	10-Jul-1999
	H	N	774	6	X		X	8	8-Sep-1988	8-Sep-2000
	H	N	774	8	X		X	8	15-Sep-1992	15-Sep-2001
	H	N	774	10	X		X	8	15-Feb-1997	15-Feb-2000
	H	N	774X	2 1/2	X		X	8	9-Sep-1992	9-Sep-2001
	H	N	774X	6	X		X	8	21-Nov-1989	21-Nov-1998
	H	N	774X	8	X		X	8	8-Sep-1988	8-Sep-2000
	H	N	775QT	1/2	X	X	X	9	31-Jan-1996	31-Jan-2002
	VU	N	775QT	1/2	X		X	9	31-Jan-1996	31-Jan-2002
	H	N	775QT	3/4	X	X	X	9	31-Jan-1996	31-Jan-2002
	VU	N	775QT	3/4	X		X	9	31-Jan-1996	31-Jan-2002
	H	N	775QT	1	X	X		9	11-Aug-1995	11-Aug-2001
	VU	N	775QT	1	X			9	11-Aug-1995	11-Aug-2001
	H	N	775QT	1 1/4	X	X	X	9	6-Sep-1996	6-Sep-1999
	VU	N	775QT	1 1/4	X		X	9	6-Sep-1996	6-Sep-1999
	H	N	775QT	1 1/2	X	X	X	9	6-Sep-1996	6-Sep-1999
	VU	N	775QT	1 1/2	X		X	9	6-Sep-1996	6-Sep-1999
	H	N	775QT	2	X	X	X	9	27-Mar-1998	27-Mar-2001
	VU	N	775QT	2	X		X	9	27-Mar-1998	27-Mar-2001
	VUVD	N	LF719AQT	1	X			9	21-Aug-2001	
	VUVD	N	LF719AQT	1 1/4	X			9	21-Aug-2001	
	VUVD	N	LF719AQT	1 1/2	X			9	21-Aug-2001	
	VUVD	N	LF719AQT	2	X			9	21-Aug-2001	
	H	N	LF719QT	1	X			9	21-Aug-2001	
	VD	N	LF719QT	1	X			9	21-Aug-2001	
	VU	N	LF719QT	1	X			9	21-Aug-2001	

	Orientation	Spare Parts Only	Model #	Sizes	U S C	I A P M O	A S S E	USC Approved Edition	USC Approved Date	USC Renewed Date
	H	N	LF719QT	1 1/4	X			9	21-Aug-2001	
	VD	N	LF719QT	1 1/4	X			9	21-Aug-2001	
	VU	N	LF719QT	1 1/4	X			9	21-Aug-2001	
	H	N	LF719QT	1 1/2	X			9	21-Aug-2001	
	VD	N	LF719QT	1 1/2	X			9	21-Aug-2001	
	VU	N	LF719QT	1 1/2	X			9	21-Aug-2001	
	H	N	LF719QT	2	X			9	21-Aug-2001	
	VD	N	LF719QT	2	X			9	21-Aug-2001	
	VU	N	LF719QT	2	X			9	21-Aug-2001	
	H	N	LF719QTR10	1/2	X			9	21-Aug-2001	
	VD	N	LF719QTR10	1/2	X			9	21-Aug-2001	
	VU	N	LF719QTR10	1/2	X			9	21-Aug-2001	
	H	N	LF719QTR10	3/4	X			9	21-Aug-2001	
	VD	N	LF719QTR10	3/4	X			9	21-Aug-2001	
	VU	N	LF719QTR10	3/4	X			9	21-Aug-2001	
	H	N	LFU719QT	1	X			9	21-Aug-2001	
	VD	N	LFU719QT	1	X			9	21-Aug-2001	
	VU	N	LFU719QT	1	X			9	21-Aug-2001	
	H	N	LFU719QT	1 1/4	X			9	21-Aug-2001	
	VD	N	LFU719QT	1 1/4	X			9	21-Aug-2001	
	VU	N	LFU719QT	1 1/4	X			9	21-Aug-2001	
	H	N	LFU719QT	1 1/2	X			9	21-Aug-2001	
	VD	N	LFU719QT	1 1/2	X			9	21-Aug-2001	
	VU	N	LFU719QT	1 1/2	X			9	21-Aug-2001	
	H	N	LFU719QT	2	X			9	21-Aug-2001	
	VD	N	LFU719QT	2	X			9	21-Aug-2001	
	VU	N	LFU719QT	2	X			9	21-Aug-2001	
	H	N	SS007M1QT	1	X	X	X	9	17-May-1994	17-May-2000
	VU	N	SS007M1QT	1	X		X	9	17-May-1994	17-May-2000
	H	N	SS007M3QT	1/2	X	X		9	10-Sep-1996	10-Sep-1999
	VU	N	SS007M3QT	1/2	X			9	10-Sep-1996	10-Sep-1999
	H	N	SS007M3QT	3/4	X	X		9	6-Sep-1996	6-Sep-1999
	VU	N	SS007M3QT	3/4	X			9	6-Sep-1996	6-Sep-1999
	VDVD	N	U007M1APCQT	3/4	X			8	9-Dec-1990	9-Dec-1999
	VDVU	N	U007M1APCQT	3/4	X			8	9-Dec-1990	9-Dec-1999
	VUVD	N	U007M1APCQT	3/4	X			8	9-Dec-1990	9-Dec-1999
	VUVU	N	U007M1APCQT	3/4	X			8	9-Dec-1990	9-Dec-1999
	VDVD	N	U007M1APCQT	2	X			8	26-Sep-1990	26-Sep-1999

	Orientation	Spare Parts Only	Model #	Sizes	U S C	I A P M O	A S S E	USC Approved Edition	USC Approved Date	USC Renewed Date
	VDVU	N	U007M1APCQT	2	X			8	26-Sep-1990	26-Sep-1999
	VUVD	N	U007M1APCQT	2	X			8	26-Sep-1990	26-Sep-1999
	VUVU	N	U007M1APCQT	2	X			8	26-Sep-1990	26-Sep-1999
	VDVD	N	U007M1AQT	3/4	X			8	23-Feb-1990	23-Feb-1999
	VDVU	N	U007M1AQT	3/4	X			8	23-Feb-1990	23-Feb-1999
	VUVD	N	U007M1AQT	3/4	X			8	23-Feb-1990	23-Feb-1999
	VUVU	N	U007M1AQT	3/4	X			8	23-Feb-1990	23-Feb-1999
	VDVD	N	U007M1AQT	2	X			8	23-Feb-1990	23-Feb-1999
	VDVU	N	U007M1AQT	2	X			8	23-Feb-1990	23-Feb-1999
	VUVD	N	U007M1AQT	2	X			8	23-Feb-1990	23-Feb-1999
	VUVU	N	U007M1AQT	2	X			8	23-Feb-1990	23-Feb-1999
	H	N	U007M1PCQT	3/4	X			8	9-Dec-1989	9-Dec-1998
	H	N	U007M1PCQT	1	X			8	9-Dec-1989	9-Dec-1998
	H	N	U007M1PCQT	1 1/2	X			8	26-Sep-1990	26-Sep-1999
	H	N	U007M1PCQT	2	X			8	26-Sep-1990	26-Sep-1999
	H	N	U007M1QT	3/4	X		X	8	29-Aug-1989	29-Aug-2001
	H	N	U007M1QT	1	X		X	8	29-Aug-1989	29-Aug-2001
	H	Y	U007M1QT	1 1/2	X		X	8	19-Oct-1989	19-Oct-1998
	H	N	U007M1QT	2	X		X	8	19-Oct-1989	19-Oct-1998
	VDVD	N	U007M2AQT	1 1/2	X			8	5-Sep-1990	5-Sep-1999
	VDVU	N	U007M2AQT	1 1/2	X			8	5-Sep-1990	5-Sep-1999
	VUVD	N	U007M2AQT	1 1/2	X			8	5-Sep-1990	5-Sep-1999
	VUVU	N	U007M2AQT	1 1/2	X			8	5-Sep-1990	5-Sep-1999
	H	N	U007M2QT	1 1/4	X		X	8	30-Sep-1992	30-Sep-2001
	H	N	U007M2QT	1 1/2	X		X	8	5-Sep-1990	5-Sep-1999
	H	Y	U007PCQT	3/4	X			8	9-Dec-1989	9-Dec-1998
	H	Y	U007PCQT	1	X			8	9-Dec-1989	9-Dec-1998
	H	Y	U007PCQT	1 1/2	X			8	26-Sep-1990	26-Sep-1999
	H	Y	U007PCQT	2	X			8	26-Sep-1990	26-Sep-1999
	H	N	U007QT	1/2	X		X	9	7-Mar-1995	7-Mar-2001
	VU	N	U007QT	1/2	X		X	9	7-Mar-1995	7-Mar-2001
	H	Y	U007QT	3/4	X			7	10-Jan-1984	10-Jan-2002
	H	Y	U007QT	1	X			7	10-Jan-1984	10-Jan-2002
	H	Y	U007QT	1 1/2	X			7	20-Jul-1984	20-Jul-1999
	H	Y	U007QT	2	X			7	20-Jul-1984	20-Jul-1999
	H	Y	U007SSPCQT	3/4	X			8	9-Dec-1989	9-Dec-1998
	H	Y	U007SSPCQT	1	X			8	9-Dec-1989	9-Dec-1998
	H	Y	U007SSPCQT	1 1/2	X			8	26-Sep-1990	26-Sep-1999

	Orientation	Spare Parts Only	Model #	Sizes	U	I	A	A	USC Approved Edition	USC Approved Date	USC Renewed Date
					S	P	S	S			
					C	O	E				
	H	Y	U007SSPCQT	2	X				8	26-Sep-1990	26-Sep-1999
	H	Y	U007SSQT	3/4	X				7	10-Jan-1984	10-Jan-2002
	H	Y	U007SSQT	1	X				7	10-Jan-1984	10-Jan-2002
	H	Y	U007SSQT	1 1/2	X				7	20-Jul-1984	20-Jul-1999
	H	Y	U007SSQT	2	X				7	20-Jul-1984	20-Jul-1999
	H	N	U719QT	1/2	X				9	3-Oct-2001	
	VD	N	U719QT	1/2	X				9	3-Oct-2001	
	VU	N	U719QT	1/2	X				9	3-Oct-2001	
	H	N	U719QT	3/4	X				9	3-Oct-2001	
	VD	N	U719QT	3/4	X				9	3-Oct-2001	
	VU	N	U719QT	3/4	X				9	3-Oct-2001	
	H	N	U719QT	1	X	X			9	3-Oct-2001	
	VD	N	U719QT	1	X				9	3-Oct-2001	
	VU	N	U719QT	1	X				9	3-Oct-2001	
	H	N	U719QT	1 1/4	X				9	3-Oct-2001	
	VD	N	U719QT	1 1/4	X				9	3-Oct-2001	
	VU	N	U719QT	1 1/4	X				9	3-Oct-2001	
	H	N	U719QT	1 1/2	X	X	X		9	3-Oct-2001	
	VD	N	U719QT	1 1/2	X		X		9	3-Oct-2001	
	VU	N	U719QT	1 1/2	X		X		9	3-Oct-2001	
	H	N	U719QT	2	X	X	X		9	3-Oct-2001	
	VD	N	U719QT	2	X		X		9	3-Oct-2001	
	VU	N	U719QT	2	X		X		9	3-Oct-2001	
<b>Wilkins</b>											
	H	N	350	3/4	X	X			9	5-Jul-2001	
	VU	N	350	3/4	X	X			9	5-Jul-2001	
	H	N	350	2 1/2	X	X	X		9	4-Sep-1997	4-Sep-2000
	VU	N	350	2 1/2	X	X	X		9	2-Apr-1998	2-Apr-2001
	H	N	350	3	X	X	X		9	4-Sep-1997	4-Sep-2000
	VU	N	350	3	X	X	X		9	2-Apr-1998	2-Apr-2001
	H	N	350	4	X	X	X		9	14-Sep-1995	14-Sep-2001
	VU	N	350	4	X	X	X		9	6-Sep-1996	6-Sep-1999
	H	N	350	6	X	X	X		9	17-Oct-1995	17-Oct-1998
	VU	N	350	6	X	X	X		9	16-Dec-1995	16-Dec-2001
	H	N	350	8	X	X	X		9	7-Mar-1998	7-Mar-2001
	VU	N	350	8	X	X			9	15-Jan-1999	15-Jan-2002
	H	N	350	10	X	X			9	27-Aug-1998	27-Aug-2001

	Orientation	Spare Parts Only	Model #	Sizes	U	A	P	A	USC Approved Edition	USC Approved Date	USC Renewed Date
					C	S	M	S			
					O	O					
					E						
	VU	N	350	10	X	X			9	13-Mar-1999	
	H	N	350A	2 1/2	X				9	21-Jun-2001	
	VU	N	350A	2 1/2	X				9	21-Jun-2001	
	H	N	350A	3	X				9	21-Jun-2001	
	VU	N	350A	3	X				9	21-Jun-2001	
	H	N	350A	4	X	X			9	15-Mar-2000	
	VU	N	350A	4	X	X			9	15-Mar-2000	
	H	N	350A	6	X	X			9	24-Nov-1999	
	VU	N	350A	6	X	X			9	24-Nov-1999	
	H	N	350A	8	X	X	X		9	11-Feb-2000	
	VU	N	350A	8	X	X			9	11-Feb-2000	
	H	N	350G	2 1/2	X				9	2-Apr-1998	2-Apr-2001
	VU	N	350G	2 1/2	X				9	2-Apr-1998	2-Apr-2001
	H	N	350G	3	X				9	2-Apr-1998	2-Apr-2001
	VU	N	350G	3	X				9	2-Apr-1998	2-Apr-2001
	H	N	350G	4	X				9	9-Apr-1996	9-Apr-1999
	VU	N	350G	4	X				9	12-Dec-1996	12-Dec-1999
	H	N	350G	6	X				9	9-Apr-1996	9-Apr-1999
	VU	N	350G	6	X				9	9-Apr-1996	9-Apr-1999
	H	N	350G	8	X				9	7-Mar-1998	7-Mar-2001
	H	N	350GPI	4	X				9	30-Jul-1997	30-Jul-2000
	VU	N	350GPI	4	X				9	30-Jul-1997	30-Jul-2000
	H	N	350GPI	6	X				9	30-Jul-1997	30-Jul-2000
	VU	N	350GPI	6	X				9	30-Jul-1997	30-Jul-2000
	H	N	350GPI	8	X				9	11-Feb-2000	
	VU	N	350GPI	8	X				9	11-Feb-2000	
	H	N	350PI	4	X				9	30-Jul-1997	30-Jul-2000
	VU	N	350PI	4	X				9	30-Jul-1997	30-Jul-2000
	H	N	350PI	6	X				9	30-Jul-1997	30-Jul-2000
	VU	N	350PI	6	X				9	30-Jul-1997	30-Jul-2000
	H	N	350PI	8	X				9	11-Feb-2000	
	VU	N	350PI	8	X				9	11-Feb-2000	
	H	N	350PI	10	X				9	11-Feb-2000	
	VU	N	350PI	10	X				9	11-Feb-2000	
	VUVD	N	450	2 1/2	X	X			9	23-Jan-1998	23-Jan-2001
	VUVD	N	450	3	X	X			9	23-Jan-1998	23-Jan-2001
	VUVD	N	450	4	X	X	X		9	11-Apr-1996	11-Apr-1999
	VUVD	N	450	6	X	X	X		9	23-May-1996	23-May-1999

	Orientation	Spare Parts Only	Model #	Sizes	U	A	A	USC Approved Edition	USC Approved Date	USC Renewed Date
					S	P	S			
					C	O	E			
	VUVD	N	450	8	X	X	X	9	13-Apr-1999	
	VUVD	N	450	10	X	X	X	9	10-Sep-1999	
	VUVD	N	450G	2 1/2	X			9	23-Jan-1998	23-Jan-2001
	VUVD	N	450G	3	X			9	23-Jan-1998	23-Jan-2001
	VUVD	N	450G	4	X			9	24-Aug-1996	24-Aug-1999
	VUVD	N	450G	6	X			9	24-Aug-1996	24-Aug-1999
	VUVD	N	450G	8	X			9	13-Apr-1999	
	H	Y	550	3/4	X	X		5	10-Oct-1972	10-Oct-1999
	H	Y	550	1	X	X		5	10-Oct-1972	10-Oct-1999
	H	Y	550	1 1/4	X	X		5	10-Oct-1972	10-Oct-1999
	H	Y	550	1 1/2	X	X		5	10-Oct-1972	10-Oct-1999
	H	Y	550	1 1/2	X	X		5	10-Oct-1972	10-Oct-1999
	H	Y	550	2	X	X		5	10-Oct-1972	10-Oct-1999
	H	Y	550	2 1/2	X	X		7	24-Sep-1982	24-Sep-2000
	H	Y	550	3	X	X		5	19-Aug-1975	19-Aug-1999
	H	Y	550	4	X	X		5	19-Jun-1976	19-Jun-2000
	H	Y	550	6	X	X		6	5-Jul-1977	5-Jul-2001
	H	Y	550A	3/4	X			7	16-Apr-1983	16-Apr-2001
	H	Y	550A	1	X			7	16-Apr-1983	16-Apr-2001
4"x4"x8" Manifold	H	Y	550M	8	X	X		8	14-Mar-1985	14-Mar-2000
6"x6"x10" Manifold Formerly MBD	H	Y	550M	10	X	X		6	10-Apr-1979	10-Apr-2000
	H	N	950	3/4	X	X		8	17-Jul-1987	17-Jul-1999
	H	N	950	1	X	X		8	17-Jul-1987	17-Jul-1999
	H	N	950	1 1/4	X	X		8	4-Apr-1987	4-Apr-1999
	H	N	950	1 1/2	X	X		8	4-Apr-1987	4-Apr-1999
	H	N	950	2	X	X		8	4-Apr-1987	4-Apr-1999
	H	N	950	2 1/2	X	X	X	8	25-Nov-1987	25-Nov-1999
	H	N	950	3	X	X	X	8	7-Nov-1987	7-Nov-1999
	H	N	950	4	X	X	X	8	7-Nov-1987	7-Nov-1999
	VU	N	950	4	X		X	8	28-Aug-1991	28-Aug-2000
	H	N	950	6	X	X	X	8	17-Mar-1988	17-Mar-2000
	VU	N	950	6	X		X	8	28-Aug-1991	28-Aug-2000
	H	N	950	8	X	X	X	8	17-Mar-1985	17-Mar-2000
	VU	N	950	8	X		X	8	28-Aug-1991	28-Aug-2000
	H	N	950	10	X	X	X	8	11-Apr-1990	11-Apr-1999
	H	N	950A	3/4	X			8	17-Jul-1987	17-Jul-1999
	H	N	950A	1	X			8	17-Jul-1987	17-Jul-1999
	H	N	950A	1 1/4	X			8	17-Jul-1987	17-Jul-1999

	Orientation	Spare Parts Only	Model #	Sizes	U	I	A	A	USC Approved Edition	USC Approved Date	USC Renewed Date
					C	P	S	S			
					X	O	E				
	H	N	950A	1 1/2	X				8	17-Jul-1987	17-Jul-1999
	H	N	950A	2	X				8	17-Jul-1987	17-Jul-1999
	H	N	950G	4	X				8	26-Mar-1996	26-Mar-1999
	VU	N	950G	4	X				8	26-Mar-1996	26-Mar-1999
	H	N	950G	6	X				8	26-Mar-1996	26-Mar-1999
	VU	N	950G	6	X				8	26-Mar-1996	26-Mar-1999
	H	N	950XL	3/4	X	X	X		8	1-Nov-1988	1-Nov-2000
	VU	N	950XL	3/4	X		X		8	11-Dec-1992	11-Dec-2001
	H	N	950XL	1	X	X	X		8	1-Nov-1988	1-Nov-2000
	H	N	950XL	1 1/4	X	X	X		8	1-Nov-1988	1-Nov-2000
	H	N	950XL	1 1/2	X	X	X		8	1-Nov-1988	1-Nov-2000
	H	N	950XL	2	X	X	X		8	1-Nov-1988	1-Nov-2000
	H	N	950XLD	3/4	X				9	14-Sep-1995	14-Sep-2001
	VU	N	950XLD	3/4	X				9	4-Jan-1996	4-Jan-2002
	H	N	950XLT	3/4	X	X	X		9	8-May-1993	8-May-1999
	H	N	950XLT	1	X	X	X		9	8-May-1993	8-May-1999
	H	N	950XLT	1 1/4	X	X			9	18-Jun-1994	18-Jun-2000
	H	N	950XLT	1 1/2	X	X	X		9	8-Apr-1994	8-Apr-2000
	H	N	950XLT	2	X	X	X		9	8-Apr-1994	8-Apr-2000
	H	N	950XLU	3/4	X	X	X		8	14-Feb-1990	14-Feb-1999
	H	N	950XLU	1	X	X	X		8	14-Feb-1990	14-Feb-1999
	H	N	950XLU	1 1/2	X	X	X		8	14-Feb-1990	14-Feb-1999
	H	N	950XLU	2	X	X	X		8	14-Feb-1990	14-Feb-1999

## DOUBLE CHECK DETECTOR ASSEMBLIES

<b>Ames</b>											
	Orientation	Spare Parts Only	Model #	Sizes	U	I	A	A	USC Approved Edition	USC Approved Date	USC Renewed Date
					C	P	S	S			
					X	O	E				
	H	N	3000B	2	X		X		9	15-Jun-1993	15-Jun-1999
	VU	N	3000B	2	X		X		9	15-Jun-1993	15-Jun-1999
	H	N	3000CIV	4	X		X		6	26-Jul-1983	26-Jul-2001
	VU	N	3000CIV	4	X		X		8	26-Aug-1992	26-Aug-2001
	H	N	3000CIV	6	X		X		6	26-Jul-1983	26-Jul-2001
	VU	N	3000CIV	6	X		X		8	4-Dec-1992	4-Dec-1998
	H	N	3000CIV	8	X		X		6	18-Apr-1983	18-Apr-2001
	VU	N	3000CIV	8	X		X		8	4-Dec-1992	4-Dec-1998
	H	N	3000CIV	10	X		X		6	26-Jul-1983	26-Jul-2001
	VU	N	3000CIV	10	X		X		8	4-Dec-1992	4-Dec-1998
Formerly DCDA	H	Y	3000DCDA	4	X				7	10-Jan-1984	10-Jan-2002

	Orientation	Spare Parts Only	Model #	Sizes	U S C	I A P M O	A S S E	USC Approved Edition	USC Approved Date	USC Renewed Date
Formerly DCDA-I	H	Y	3000DCDA	6	X			7	10-Jan-1984	10-Jan-2002
Formerly DCDA	H	Y	3000DCDA	8	X			7	10-Jan-1984	10-Jan-2002
Formerly DCDA	H	N	3000DCDC	10	X			7	3-Aug-1983	3-Aug-2001
Formerly DCDA	H	Y	3000GDCDA	4	X			7	10-Jan-1984	10-Jan-2002
Formerly DCDA-I	H	Y	3000GDCDA	6	X			7	10-Jan-1984	10-Jan-2002
Formerly DCDA	H	Y	3000GDCDA	8	X			7	10-Jan-1984	10-Jan-2002
Formerly DCDC	H	Y	3000GDCDC	10	X			7	3-Aug-1983	3-Aug-2001
	H	N	3000SE	2 1/2	X		X	8	9-Sep-1992	9-Sep-2001
	H	N	3000SE	6	X		X	8	23-May-1991	23-May-2000
	H	N	3000SE	8	X		X	8	8-Sep-1988	8-Sep-2000
	H	Y	3000SEA	8	X			8	4-May-1991	4-May-2000
Formerly 3000SS prior to S/N 2EK0320	H	N	3000SEWM1	6	X			8	21-Nov-1989	21-Nov-1998
	H	N	3000SS	2 1/2	X		X	8	23-May-1991	23-May-2000
	H	N	3000SS	3	X		X	8	23-May-1991	23-May-2000
	H	N	3000SS	4	X		X	8	23-May-1991	23-May-2000
	H	N	3000SS	6	X		X	8	8-Sep-1988	8-Sep-2000
	H	N	3000SS	8	X		X	8	15-Sep-1992	15-Sep-2001
	H	N	3000SS	10	X		X	8	15-Feb-1997	15-Feb-2000
	H	Y	3000SSA	6	X			8	4-May-1991	4-May-2000
	H	Y	3000SSM	4	X			8	4-May-1991	4-May-2000
	H	N	3000SSM	6	X			8	4-May-1991	4-May-2000
Formerly 3000SS prior to S/N 2EK0320	H	N	3000SSWM1	2 1/2	X			8	10-Jul-1987	10-Jul-1999
Formerly 3000SS prior to S/N 2EK0320	H	N	3000SSWM1	3	X			8	10-Jul-1987	10-Jul-1999
Formerly 3000SS prior to S/N 2EK0320	H	N	3000SSWM1	4	X			8	10-Jul-1987	10-Jul-1999
	H	N	Colt 300aBF	2 1/2	X		X	9	5-Nov-1999	
	VU	N	Colt 300aBF	2 1/2	X		X	9	5-Nov-1999	
	H	N	Colt 300aBF	3	X		X	9	5-Nov-1999	
	VU	N	Colt 300aBF	3	X		X	9	5-Nov-1999	
	H	N	Colt 300aBF	4	X		X	9	5-Nov-1999	
	VU	N	Colt 300aBF	4	X		X	9	5-Nov-1999	
	H	N	Colt 300aBF	6	X		X	9	28-Sep-2000	
	VU	N	Colt 300aBF	6	X		X	9	17-Jan-2001	
	H	N	Colt 300aGV	2 1/2	X		X	9	5-Oct-1999	
	VU	N	Colt 300aGV	2 1/2	X		X	9	5-Oct-1999	
	H	N	Colt 300aGV	3	X		X	9	5-Oct-1999	
	VU	N	Colt 300aGV	3	X		X	9	5-Oct-1999	
	H	N	Colt 300aGV	4	X		X	9	5-Oct-1999	
	VU	N	Colt 300aGV	4	X		X	9	5-Oct-1999	



	Orientation	Spare Parts Only	Model #	Sizes	U S C	I A P M O	A S S E	USC Approved Edition	USC Approved Date	USC Renewed Date
<b>Conbraco</b>										
	H	N	10DCDA	10	X		X	9	15-Jan-1999	15-Jan-2002
	VU	N	10DCDA	10	X		X	9	15-Jan-1999	15-Jan-2002
	H	N	2 1/2DCDA	2 1/2	X		X	9	15-Oct-1996	15-Oct-1999
	VU	N	2 1/2DCDA	2 1/2	X		X	9	15-Oct-1996	15-Oct-1999
	H	N	2 1/2DCDA6	2 1/2	X		X	9	9-Apr-1997	9-Apr-2000
	VU	N	2 1/2DCDA6	2 1/2	X		X	9	9-Apr-1997	9-Apr-2000
	H	N	2 1/2DCDA7	2 1/2	X		X	9	28-Sep-2000	
	VU	N	2 1/2DCDA7	2 1/2	X		X	9	28-Sep-2000	
	H	N	2 1/2DCDA8	2 1/2	X		X	9	28-Sep-2000	
	VU	N	2 1/2DCDA8	2 1/2	X		X	9	28-Sep-2000	
	VUVD	N	2 1/2DCDAU	2 1/2	X		X	9	9-Apr-1997	9-Apr-2000
	H	N	3DCDA	3	X			9	15-Oct-1996	15-Oct-1999
	VU	N	3DCDA	3	X			9	15-Oct-1996	15-Oct-1999
	H	N	3DCDA6	3	X			9	9-Apr-1997	9-Apr-2000
	VU	N	3DCDA6	3	X			9	9-Apr-1997	9-Apr-2000
	H	N	3DCDA7	3	X			9	28-Sep-2000	
	VU	N	3DCDA7	3	X			9	28-Sep-2000	
	H	N	3DCDA8	3	X			9	28-Sep-2000	
	VU	N	3DCDA8	3	X			9	28-Sep-2000	
	VUVD	N	3DCDAU	3	X			9	9-Apr-1997	9-Apr-2000
Formerly 4060003	H	N	40600C3	3	X			8	19-Aug-1992	19-Aug-2001
Formerly 4060003	H	N	40600E3	3	X			8	19-Aug-1992	19-Aug-2001
Formerly 4060A03	H	N	4060AC3	4	X			8	12-Apr-1989	12-Apr-2001
	H	N	4060AC6	4	X			8	31-Jan-1996	31-Jan-2002
Formerly 4060A03	H	N	4060AE3	4	X			8	12-Apr-1989	12-Apr-2001
	H	N	4060AE6	4	X			8	31-Jan-1996	31-Jan-2002
Formerly 4060C03	H	N	4060CC3	6	X			8	1-Jun-1989	1-Jun-2001
	H	N	4060CC6	6	X			8	31-Jan-1996	31-Jan-2002
Formerly 4060C03	H	N	4060CE3	6	X			8	1-Jun-1989	1-Jun-2001
	H	N	4060CE6	6	X			8	31-Jan-1996	31-Jan-2002
Formerly 4060E03	H	N	4060EC3	8	X			8	12-Apr-1989	12-Apr-2001
	H	N	4060EC6	8	X			8	31-Jan-1996	31-Jan-2002
Formerly 4060E03	H	N	4060EE3	8	X			8	12-Apr-1989	12-Apr-2001
	H	N	4060EE6	8	X			8	31-Jan-1996	31-Jan-2002
Formerly 4060G03	H	N	4060GC3	10	X			8	12-Apr-1989	12-Apr-2001
	H	N	4060GC6	10	X			8	31-Jan-1996	31-Jan-2002
Formerly 4060G03	H	N	4060GE3	10	X			8	11-Apr-1989	12-Mar-2001

	Orientation	Spare Parts Only	Model #	Sizes	U	I	A	A	USC Approved Edition	USC Approved Date	USC Renewed Date
					S	P	S	S			
					C	O	E				
	H	N	4060GE6	10	X				8	31-Jan-1996	31-Jan-2002
	H	N	4DCDA	4	X				9	15-Oct-1996	15-Oct-1999
	VU	N	4DCDA	4	X				9	15-Oct-1996	15-Oct-1999
	H	N	4DCDA6	4	X				9	9-Apr-1997	9-Apr-2000
	VU	N	4DCDA6	4	X				9	9-Apr-1997	9-Apr-2000
	H	N	4DCDA7	4	X				9	28-Sep-2000	
	VU	N	4DCDA7	4	X				9	28-Sep-2000	
	H	N	4DCDA8	4	X				9	28-Sep-2000	
	VU	N	4DCDA8	4	X				9	28-Sep-2000	
	VUVD	N	4DCDAU	4	X				9	9-Apr-1997	9-Apr-2000
	H	N	6DCDA	6	X				9	15-Oct-1996	15-Oct-1999
	VU	N	6DCDA	6	X				9	15-Oct-1996	15-Oct-1999
	H	N	6DCDA6	6	X				9	9-Apr-1997	9-Apr-2000
	VU	N	6DCDA6	6	X				9	9-Apr-1997	9-Apr-2000
	H	N	6DCDA7	6	X				9	28-Sep-2000	
	VU	N	6DCDA7	6	X				9	28-Sep-2000	
	H	N	6DCDA8	6	X				9	28-Sep-2000	
	VU	N	6DCDA8	6	X				9	28-Sep-2000	
	VUVD	N	6DCDAU	6	X				9	9-Apr-1997	9-Apr-2000
	H	N	8DCDA	8	X				9	15-Jan-1999	15-Jan-2002
	VU	N	8DCDA	8	X				9	15-Jan-1999	15-Jan-2002
	H	N	8DCDA7	8	X				9	28-Sep-2000	
	VU	N	8DCDA7	8	X				9	28-Sep-2000	
	H	N	8DCDA8	8	X				9	28-Sep-2000	
	VU	N	8DCDA8	8	X				9	28-Sep-2000	
<b>Febco</b>											
	H	Y	806	4	X				6	3-Aug-1979	3-Aug-2000
	H	Y	806	6	X				6	12-May-1978	12-May-1999
	H	Y	806	8	X				6	12-May-1978	12-May-1999
	H	Y	806	10	X				6	12-May-1978	12-May-1999
Formerly 806 Type YD	H	N	806YD	3	X				8	25-Sep-1984	25-Sep-1999
Formerly 806 Type YD	H	N	806YD	4	X		X		7	9-Jul-1983	9-Jul-2001
Formerly 806 Type YD	H	N	806YD	6	X		X		7	9-Jul-1983	9-Jul-2001
Formerly 806 Type YD	H	N	806YD	8	X		X		7	9-Jul-1983	9-Jul-2001
Formerly 806 Type YD	H	N	806YD	10	X		X		7	9-Jul-1983	9-Jul-2001
	H	N	831H	4	X		X		9	23-Apr-2000	
	VU	N	831H	4	X		X		9	1-Jun-2000	



	Orientation	Spare Parts Only	Model #	Sizes	U S C	I A P M O	A S S E	USC Approved Edition	USC Approved Date	USC Renewed Date
Formerly 709DDC	H	N	709DCDA	4	X		X	6	26-Jul-1983	26-Jul-2001
Formerly 709DDC	VU	N	709DCDA	4	X		X	8	26-Aug-1992	26-Aug-2001
Formerly 709DDC	H	N	709DCDA	6	X		X	6	26-Jul-1983	26-Jul-2001
	VU	N	709DCDA	6	X		X	8	4-Dec-1992	4-Dec-1998
Formerly 709DDC	H	N	709DCDA	8	X		X	6	18-Apr-1983	18-Apr-2001
	VU	N	709DCDA	8	X		X	8	4-Dec-1992	4-Dec-1998
Formerly 709DDC	H	N	709DCDA	10	X		X	6	26-Jul-1983	26-Jul-2001
	VU	N	709DCDA	10	X		X	8	4-Dec-1992	4-Dec-1998
	H	N	757aDCDABF	2 1/2	X		X	9	5-Nov-1999	
	VU	N	757aDCDABF	2 1/2	X		X	9	5-Nov-1999	
	H	N	757aDCDABF	3	X		X	9	5-Nov-1999	
	VU	N	757aDCDABF	3	X		X	9	5-Nov-1999	
	H	N	757aDCDABF	4	X		X	9	5-Nov-1999	
	VU	N	757aDCDABF	4	X		X	9	5-Nov-1999	
	H	N	757aDCDABF	6	X		X	9	2-Nov-2000	
	VU	N	757aDCDABF	6	X		X	9	17-Jan-2001	
	H	N	757aDCDAGV	2 1/2	X		X	9	5-Nov-1999	
	VU	N	757aDCDAGV	2 1/2	X		X	9	5-Nov-1999	
	H	N	757aDCDAGV	3	X		X	9	5-Nov-1999	
	VU	N	757aDCDAGV	3	X		X	9	5-Nov-1999	
	H	N	757aDCDAGV	4	X		X	9	5-Nov-1999	
	VU	N	757aDCDAGV	4	X		X	9	5-Nov-1999	
	H	N	757aDCDAGV	6	X		X	9	17-Jan-2001	
	VU	N	757aDCDAGV	6	X		X	9	17-Jan-2001	
	H	N	757DCDABF	2 1/2	X		X	9	3-Oct-2001	
	V	N	757DCDABF	2 1/2	X		X	9	3-Oct-2001	
	H	N	757DCDABF	3	X		X	9	3-Oct-2001	
	V	N	757DCDABF	3	X		X	9	3-Oct-2001	
	H	N	757DCDABF	4	X		X	9	3-Oct-2001	
	V	N	757DCDABF	4	X		X	9	3-Oct-2001	
	H	N	757DCDAGV	2 1/2	X		X	9	3-Oct-2001	
	V	N	757DCDAGV	2 1/2	X		X	9	3-Oct-2001	
	H	N	757DCDAGV	3	X		X	9	3-Oct-2001	
	V	N	757DCDAGV	3	X		X	9	3-Oct-2001	
	H	N	757DCDAGV	4	X		X	9	3-Oct-2001	
	V	N	757DCDAGV	4	X		X	9	3-Oct-2001	
	H	N	767aDCDABF	2 1/2	X		X	9	5-Nov-1999	
	VU	N	767aDCDABF	2 1/2	X		X	9	5-Nov-1999	

	Orientation	Spare Parts Only	Model #	Sizes	U	I	A	A	USC Approved Edition	USC Approved Date	USC Renewed Date
					S	P	S	S			
					C	O	E				
	H	N	767aDCDABF	3	X		X		9	5-Nov-1999	
	VU	N	767aDCDABF	3	X		X		9	5-Nov-1999	
	VU	N	767aDCDABF	4	X		X		9	17-Jan-2001	
	H	N	767aDCDAGV	2 1/2	X				9	5-Nov-1999	
	VU	N	767aDCDAGV	2 1/2	X				9	5-Nov-1999	
	H	N	767aDCDAGV	3	X				9	5-Nov-1999	
	VU	N	767aDCDAGV	3	X				9	5-Nov-1999	
	H	N	767aDCDAGV	4	X				9	5-Nov-1999	
	VU	N	767aDCDAGV	4	X				9	17-Jan-2001	
	VU	N	767aDCDAGV	4	X				9	5-Nov-1999	
	H	N	767DCDABF	2 1/2	X		X		9	3-Oct-2001	
	V	N	767DCDABF	2 1/2	X		X		9	3-Oct-2001	
	H	N	767DCDABF	3	X		X		9	3-Oct-2001	
	V	N	767DCDABF	3	X		X		9	3-Oct-2001	
	H	N	767DCDAGV	2 1/2	X		X		9	3-Oct-2001	
	V	N	767DCDAGV	2 1/2	X		X		9	3-Oct-2001	
	H	N	767DCDAGV	3	X		X		9	3-Oct-2001	
	V	N	767DCDAGV	3	X		X		9	3-Oct-2001	
	H	Y	770DCDA	4	X				8	19-May-1988	19-May-2000
	H	Y	770DCDA	8	X				8	12-Jan-1989	12-Jan-2001
	H	Y	772DCDA	4	X				8	31-Jul-1988	31-Jul-2000
	H	Y	772DCDA	10	X				8	12-Jan-1989	12-Jan-2001
	H	N	774DCDA	2 1/2	X		X		8	23-May-1991	23-May-2000
	H	N	774DCDA	3	X		X		8	23-May-1991	23-May-2000
	H	N	774DCDA	4	X		X		8	23-May-1991	23-May-2000
	H	N	774DCDA	6	X		X		8	8-Sep-1988	8-Sep-2000
	H	N	774DCDA	8	X		X		8	15-Sep-1992	15-Sep-2001
	H	N	774DCDA	10	X		X		8	15-Feb-1997	15-Feb-2000
	H	N	774XDCDA	2 1/2	X		X		8	9-Sep-1992	9-Sep-2001
	H	N	774XDCDA	6	X		X		8	23-May-1991	23-May-2000
	H	N	774XDCDA	8	X		X		8	8-Sep-1988	8-Sep-2000
<b>Wilkins</b>											
	H	N	350ADA	2 1/2	X				9	21-Jun-2001	
	VU	N	350ADA	2 1/2	X				9	21-Jun-2001	
	H	N	350ADA	3	X				9	21-Jun-2001	
	VU	N	350ADA	3	X				9	21-Jun-2001	
	H	N	350ADA	4	X		X		9	15-Mar-2000	

	Orientation	Spare Parts Only	Model #	Sizes	U	I	A	A	USC Approved Edition	USC Approved Date	USC Renewed Date
					S	P	S	S			
					C	O	E				
VU	N	350ADA	4	X	X	X	9	15-Mar-2000			
H	N	350ADA	6	X	X	9	24-Nov-1999				
VU	N	350ADA	6	X	X	9	24-Nov-1999				
H	N	350ADA	8	X	X	9	11-Feb-2000				
VU	N	350ADA	8	X	X	9	11-Feb-2000				
H	N	350DA	2 1/2	X	X	9	2-Apr-1998	2-Apr-2001			
VU	N	350DA	2 1/2	X	X	9	7-Oct-1998	7-Oct-2001			
H	N	350DA	3	X	X	9	2-Apr-1998	2-Apr-2001			
VU	N	350DA	3	X	X	9	7-Oct-1998	7-Oct-2001			
H	N	350DA	4	X	X	9	14-Sep-1995	14-Sep-2001			
VU	N	350DA	4	X	X	9	8-Sep-1996	8-Sep-1999			
H	N	350DA	6	X	X	9	17-Oct-1995	17-Oct-1998			
VU	N	350DA	6	X	X	9	4-Jan-1996	4-Jan-2002			
H	N	350DA	8	X	X	9	2-Jul-1998	2-Jul-2001			
VU	N	350DA	8	X	X	9	15-Jan-1999	15-Jan-2002			
H	N	350DA	10	X	X	9	27-Aug-1998	27-Aug-2001			
VU	N	350DA	10	X	X	9	13-Mar-1999				
H	N	350DAG	4	X	X	9	9-Apr-1996	9-Apr-1999			
VU	N	350DAG	4	X	X	9	12-Dec-1996	12-Dec-1999			
H	N	350DAG	6	X	X	9	9-Apr-1996	9-Apr-1999			
VU	N	350DAG	6	X	X	9	9-Apr-1996	9-Apr-1999			
H	N	350DAG	8	X	X	9	11-Feb-2000				
VU	N	350DAG	8	X	X	9	11-Feb-2000				
H	N	350DAGPI	4	X	X	9	30-Jul-1997	30-Jul-2000			
VU	N	350DAGPI	4	X	X	9	30-Jul-1997	30-Jul-2000			
H	N	350DAGPI	6	X	X	9	30-Jul-1997	30-Jul-2000			
VU	N	350DAGPI	6	X	X	9	30-Jul-1997	30-Jul-2000			
H	N	350DAGPI	8	X	X	9	11-Feb-2000				
VU	N	350DAGPI	8	X	X	9	11-Feb-2000				
H	N	350DAPI	4	X	X	9	30-Jul-1997	30-Jul-2000			
VU	N	350DAPI	4	X	X	9	30-Jul-1997	30-Jul-2000			
H	N	350DAPI	6	X	X	9	30-Jul-1997	30-Jul-2000			
VU	N	350DAPI	6	X	X	9	30-Jul-1997	30-Jul-2000			
H	N	350DAPI	8	X	X	9	11-Feb-2000				
VU	N	350DAPI	8	X	X	9	11-Feb-2000				
H	N	350DAPI	10	X	X	9	11-Feb-2000				
VU	N	350DAPI	10	X	X	9	11-Feb-2000				
VUVD	N	450DA	4	X	X	9	11-Apr-1996	11-Apr-1999			



	Orientation	Spare Parts Only	Model #	Sizes	U	I	A	A	USC Approved Edition	USC Approved Date	USC Renewed Date
					S	P	S	S			
					C	O	E				
	H	N	4000CIV	2 1/2	X				7	6-Jul-1996	6-Jul-1999
	H	N	4000CIV	3	X				7	6-Jul-1996	6-Jul-1999
	H	N	4000CIV	4	X		X		6	18-Jun-1996	18-Jun-1999
	H	N	4000CIV	6	X		X		6	18-Jun-1996	18-Jun-1999
	H	N	4000CIV	8	X		X		8	18-Jun-1996	18-Jun-1999
	H	N	4000CIV	10	X		X		8	18-Jun-1996	18-Jun-1999
formerly Model RP	H	N	4000RP	4	X		X		7	12-Oct-1983	12-Oct-1998
formerly Model RP	H	N	4000RP	6	X		X		7	12-Oct-1983	12-Oct-1998
formerly Model RP	H	N	4000RP	8	X		X		7	12-Oct-1983	12-Oct-1998
formerly Model RP	H	N	4000RP	10	X		X		7	12-Oct-1983	12-Oct-1998
	H	N	4000SS	2 1/2	X		X		8	14-Apr-1990	14-Apr-1999
	H	N	4000SS	3	X		X		8	14-Apr-1990	14-Apr-1999
	H	N	4000SS	4	X		X		8	14-Apr-1990	14-Apr-1999
	H	N	4000SS	6	X		X		8	21-Sep-1993	21-Sep-1999
	H	N	Colt 400	2 1/2	X				9	6-Oct-1998	6-Oct-2001
	H	N	Colt 400	3	X				9	6-Oct-1998	6-Oct-2001
	H	N	Colt 400	4	X				9	6-Oct-1998	6-Oct-2001
	H	N	Colt 400	6	X				9	28-Sep-2000	
	VUVD	N	Colt 400N	2 1/2	X				9	13-Apr-1999	
	VUVD	N	Colt 400N	3	X				9	13-Apr-1999	
	VUVD	N	Colt 400N	4	X				9	13-Apr-1999	
	VUVU	N	Colt 400Z	2 1/2	X				9	13-Apr-1999	
	VUVU	N	Colt 400Z	3	X				9	13-Apr-1999	
	VUVU	N	Colt 400Z	4	X				9	13-Apr-1999	
	H	N	Maxim 400	2 1/2	X		X		9	6-Oct-1998	6-Oct-2001
	H	N	Maxim 400	3	X		X		9	6-Oct-1998	6-Oct-2001
	H	N	Maxim 400	4	X		X		9	17-Jan-2001	
	VUVD	N	Maxim 400N	2 1/2	X		X		9	13-Apr-1999	
	VUVD	N	Maxim 400N	3	X		X		9	13-Apr-1999	
	VUVU	N	Maxim 400Z	2 1/2	X		X		9	13-Apr-1999	
	VUVU	N	Maxim 400Z	3	X		X		9	13-Apr-1999	
Buckner											
	H	Y	24000	3/4	X				8	13-Mar-1990	13-Mar-1999
	H	Y	24000/25	3/4	X				8	13-Mar-1990	13-Mar-1999
	H	Y	24001	1	X				8	13-Mar-1990	13-Mar-1999
	H	Y	24001/25	1	X				8	13-Mar-1990	13-Mar-1999
	H	Y	24002	1 1/4	X				8	17-Jul-1987	17-Jul-1999

	Orientation	Spare Parts Only	Model #	Sizes	U	I	A	A	USC Approved Edition	USC Approved Date	USC Renewed Date
					S	P	S	S			
					C	O	E				
	H	Y	24002/25	1 1/4	X				8	17-Jul-1987	17-Jul-1999
	H	Y	24003	1 1/2	X				8	17-Jul-1987	17-Jul-1999
	H	Y	24003/25	1 1/2	X				8	17-Jul-1987	17-Jul-1999
	H	Y	24004	2	X				8	17-Jul-1987	17-Jul-1999
	H	Y	24004/25	2	X				8	17-Jul-1987	17-Jul-1999
<b>Cla-Val</b>											
	H	Y	RP2	3/4	X				4	5-Feb-1970	17-Mar-2000
	H	Y	RP2	1	X				4	5-Feb-1970	17-Mar-2000
	H	Y	RP2	1 1/4	X				5	12-Aug-1972	4-Oct-1999
	H	Y	RP2	1 1/2	X				5	12-Aug-1972	4-Oct-1999
	H	Y	RP4	2	X				8	21-Jun-1985	21-Jun-2000
	H	N	RP4	2 1/2	X				8	21-Jun-1985	21-Jun-2000
	H	N	RP4	3	X				8	21-Jun-1985	21-Jun-2000
	H	N	RP4	4	X				8	21-Jun-1985	21-Jun-2000
	H	N	RP4	6	X				8	6-Aug-1983	6-Aug-2001
	H	N	RP4	8	X				8	21-Jun-1985	21-Jun-2000
	H	N	RP4	10	X				8	21-Jun-1985	21-Jun-2000
	VUVU	N	RP4V	4	X				8	14-Mar-1986	14-Mar-2001
<b>Conbraco</b>											
	H	N	4020002	3	X	X	X		8	7-Apr-1987	7-Apr-1999
	H	N	4020003	3	X	X	X		8	7-Apr-1987	7-Apr-1999
	H	N	4020005	3	X	X	X		8	7-Dec-1994	7-Dec-2000
	H	N	4020102	1/4	X		X		8	2-May-1987	2-May-1999
	H	N	40201A2	1/4	X		X		8	18-Apr-1992	18-Apr-2001
formerly 4020199T	H	N	40201T2	1/4	X		X		8	15-Sep-1994	15-Sep-2000
formerly 40201A2S	H	N	40201T2S	1/4	X		X		8	18-Apr-1992	18-Apr-2001
	H	N	4020202	3/8	X		X		8	2-May-1987	2-May-1999
	H	N	40202A2	3/8	X		X		8	18-Apr-1992	18-Apr-2001
formerly 4020299T	H	N	40202T2	3/8	X		X		8	15-Sep-1994	15-Sep-2000
formerly 40202A2S	H	N	40202T2S	3/8	X		X		8	18-Apr-1992	18-Apr-2001
	H	N	4020302	1/2	X				8	2-May-1987	2-May-2001
	H	N	40203A2	1/2	X		X		8	18-Apr-1992	18-Apr-2001
formerly 4020399T	H	N	40203T2	1/2	X		X		8	15-Sep-1994	15-Sep-2000
formerly 40203A2S	H	N	40203T2S	1/2	X		X		8	18-Apr-1992	18-Apr-2001
	H	N	4020402	3/4	X	X			8	7-May-1985	7-May-2000

	Orientation	Spare Parts Only	Model #	Sizes	U	I	A	A	USC Approved Edition	USC Approved Date	USC Renewed Date
					S	P	S	S			
					C	O	E				
	H	N	40204A2	3/4	X	X	X		8	26-Nov-1987	26-Nov-1999
formerly 2020499T	H	N	40204T2	3/4	X	X	X		8	15-Sep-1994	15-Sep-2000
formerly 40204A2S	H	N	40204T2S	3/4	X	X	X		8	15-Aug-1990	15-Aug-1999
formerly 40204A2U	VUVD	N	40204T2U	3/4	X		X		8	5-Nov-1988	5-Nov-2000
formerly 40204A2Z	VUVU	N	40204T2Z	3/4	X		X		8	5-Nov-1988	5-Nov-2000
	H	N	40204TC2	3/4	X		X		8	29-Nov-1994	29-Nov-2000
	VUVD	N	40204TCU	3/4	X		X		8	29-Nov-1994	29-Nov-2000
	H	N	4020502	1	X	X			8	7-May-1985	7-May-2000
	H	N	40205A2	1	X	X	X		8	26-Nov-1987	26-Nov-1999
formerly 4020599T	H	N	40205T2	1	X	X	X		8	15-Sep-1994	15-Sep-2000
formerly 40205A2S	H	N	40205T2S	1	X	X	X		8	15-Aug-1990	15-Aug-1999
formerly 40205A2U	VUVD	N	40205T2U	1	X		X		8	14-Sep-1989	14-Sep-2001
formerly 40205A2Z	VUVU	N	40205T2Z	1	X		X		8	14-Sep-1989	14-Sep-2001
	H	N	40205TC2	1	X		X		8	29-Nov-1994	29-Nov-2000
	VUVD	N	40205TCU	1	X		X		8	29-Nov-1994	29-Nov-2000
	H	N	4020602	1 1/4	X	X			8	5-Apr-1988	5-Apr-2000
	H	N	40206A2	1 1/4	X	X	X		8	20-Jun-1989	20-Jun-2001
formerly 4020699T	H	N	40206T2	1 1/4	X	X	X		8	15-Sep-1994	15-Sep-2000
formerly 40206A2U	VUVD	N	40206T2U	1 1/4	X		X		8	1-Feb-1991	1-Feb-2000
formerly 40206A2Z	VUVU	N	40206T2Z	1 1/4	X		X		8	1-Feb-1991	1-Feb-2000
	H	N	4020702	1 1/2	X	X	X		8	16-Mar-1985	16-Mar-2000
	H	N	40207A2	1 1/2	X	X	X		8	15-Sep-1988	15-Sep-2000
formerly 4020799T	H	N	40207T2	1 1/2	X	X	X		8	15-Sep-1994	15-Sep-2000
formerly 40207A2U	VUVD	N	40207T2U	1 1/2	X		X		8	1-Feb-1991	1-Feb-2000
formerly 40207A2Z	VUVU	N	40207T2Z	1 1/2	X		X		8	1-Feb-1991	1-Feb-2000
	H	N	4020802	2	X	X	X		8	16-Mar-1985	16-Mar-2000
	H	N	40208A2	2	X	X	X		8	15-Sep-1988	15-Sep-2000
	H	N	40208A4	2	X	X	X		8	23-May-1996	23-May-1999
formerly 4020899T	H	N	40208T2	2	X	X	X		8	15-Sep-1994	15-Sep-2000
formerly 40208A2U	VUVD	N	40208T2U	2	X		X		8	1-Feb-1991	1-Feb-2000
formerly 40208A2Z	VUVU	N	40208T2Z	2	X		X		8	1-Feb-1991	1-Feb-2000
	H	N	4020902	2 1/2	X	X	X		8	7-Apr-1987	7-Apr-1999
	H	N	4020903	2 1/2	X	X	X		8	7-Apr-1987	7-Apr-1999
	H	N	4020905	2 1/2	X	X	X		8	7-Dec-1994	7-Dec-2000
	H	N	4020A02	4	X	X	X		8	7-Apr-1987	7-Apr-1999
	H	N	4020A03	4	X	X	X		8	7-Apr-1987	7-Apr-1999
	H	N	4020A05	4	X	X	X		8	7-Dec-1994	7-Dec-2000
	H	N	4020C02	6	X	X	X		8	7-Apr-1987	7-Apr-1999

	Orientation	Spare Parts Only	Model #	Sizes	U	I	A	A	USC Approved Edition	USC Approved Date	USC Renewed Date
					S	P	S	S			
					C	O	E				
	H	N	4020C03	6	X	X	X		8	7-Apr-1987	7-Apr-1999
	H	N	4020C05	6	X	X	X		8	7-Dec-1994	7-Dec-2000
	H	N	4020E02	8	X				8	21-Oct-1987	21-Oct-1999
	H	N	4020E03	8	X				8	21-Oct-1988	21-Oct-2000
	H	N	4020G02	10	X				8	12-Apr-1989	12-Apr-2001
	H	N	4020G03	10	X				8	12-Apr-1989	12-Apr-2001
<b>Febco</b>											
	H	Y	825	2 1/2	X				5	16-Mar-1971	16-Mar-2001
	H	Y	825	3	X				5	15-Jun-1971	15-Jun-2001
	H	Y	825	4	X				5	11-Jun-1971	11-Jun-2001
	H	Y	825	6	X				5	5-Jun-1971	5-Jun-2001
	H	Y	825	8	X				5	10-Nov-1971	10-Nov-1998
	H	Y	825	10	X				5	22-Mar-1975	22-Mar-1999
Formerly 825 Type D	H	Y	825D	2 1/2	X				7	12-Sep-1983	12-Sep-2001
Formerly 825 Type D	H	Y	825D	3	X				7	12-Sep-1983	12-Sep-2001
Formerly 825 Type D	H	Y	825D	4	X				7	12-Sep-1983	12-Sep-2001
Formerly 825 Type D	H	Y	825D	6	X				7	12-Sep-1983	12-Sep-2001
Formerly 825 Type D	H	Y	825D	8	X				7	12-Sep-1983	12-Sep-2001
Formerly 825 Type D	H	Y	825D	10	X				7	12-Sep-1983	12-Sep-2001
	H	N	825Y	3/4	X	X	X		6	18-Mar-1978	18-Mar-1999
	H	N	825Y	1	X	X	X		6	18-Mar-1978	18-Mar-1999
	H	N	825Y	1 1/4	X		X		6	2-Jun-1978	2-Jun-1999
	H	N	825Y	1 1/2	X	X	X		6	5-Aug-1978	5-Aug-1999
	H	N	825Y	2	X	X	X		6	5-Aug-1978	5-Aug-1999
	H	N	825YA	3/4	X				8	4-Mar-1986	4-Mar-2001
	HVD	N	825YA	3/4	X				8	4-Mar-1986	4-Mar-2001
	VUH	N	825YA	3/4	X				8	4-Mar-1986	4-Mar-2001
	VUVD	N	825YA	3/4	X		X		8	4-Mar-1986	4-Mar-2001
	H	N	825YA	1	X				8	4-Mar-1986	4-Mar-2001
	HVD	N	825YA	1	X				8	4-Mar-1986	4-Mar-2001
	VUH	N	825YA	1	X				8	4-Mar-1986	4-Mar-2001
	VUVD	N	825YA	1	X				8	4-Mar-1986	4-Mar-2001
	H	N	825YA	1 1/2	X		X		8	7-May-1985	7-May-2000
	HVD	N	825YA	1 1/2	X				8	7-May-1985	7-May-2000
	VUH	N	825YA	1 1/2	X				8	7-May-1985	7-May-2000
	VUVD	N	825YA	1 1/2	X		X		8	7-May-1985	7-May-2000
	H	N	825YA	2	X				8	7-May-1985	7-May-2000

	Orientation	Spare Parts Only	Model #	Sizes	U	I	A	A	USC Approved Edition	USC Approved Date	USC Renewed Date
					S	P	S	S			
					C	O	E				
	HVD	N	825YA	2	X				8	7-May-1985	7-May-2000
	VUH	N	825YA	2	X				8	7-May-1985	7-May-2000
	VUVD	N	825YA	2	X		X		8	7-May-1985	7-May-2000
	H	N	825YAR	3/4	X				8	21-Jan-1989	21-Jan-2001
	HVD	N	825YAR	3/4	X				8	21-Jan-1989	21-Jan-2001
	VUH	N	825YAR	3/4	X				8	21-Jan-1989	21-Jan-2001
	VUVD	N	825YAR	3/4	X				8	21-Jan-1989	21-Jan-2001
	H	N	825YAR	1	X				8	20-Jan-1989	20-Jan-2001
	HVD	N	825YAR	1	X				8	20-Jan-1989	20-Jan-2001
	VUH	N	825YAR	1	X				8	20-Jan-1989	20-Jan-2001
	VUVD	N	825YAR	1	X				8	20-Jan-1989	20-Jan-2001
	H	N	825YAR	1 1/2	X				8	18-Aug-1989	18-Aug-2001
	HVD	N	825YAR	1 1/2	X				8	18-Aug-1989	18-Aug-2001
	VUH	N	825YAR	1 1/2	X				8	18-Aug-1989	18-Aug-2001
	VUVD	N	825YAR	1 1/2	X				8	18-Aug-1989	18-Aug-2001
	H	N	825YAR	2	X				8	18-Aug-1989	18-Aug-2001
	HVD	N	825YAR	2	X				8	18-Aug-1989	18-Aug-2001
	VUH	N	825YAR	2	X				8	18-Aug-1989	18-Aug-2001
	VUVD	N	825YAR	2	X				8	18-Aug-1989	18-Aug-2001
	H	N	825YD	2 1/2	X	X	X		7	23-Feb-1985	23-Feb-2000
	H	N	825YD	3	X	X	X		7	23-Feb-1985	23-Feb-2000
	H	N	825YD	4	X	X	X		7	23-Feb-1985	23-Feb-2000
	H	N	825YD	6	X	X	X		7	23-Feb-1985	23-Feb-2000
	H	N	825YD	8	X	X	X		7	23-Feb-1985	23-Feb-2000
	H	N	825YD	10	X	X	X		7	23-Feb-1985	23-Feb-2000
	H	N	825YR	3/4	X				8	21-Jan-1989	21-Jan-2001
	H	N	825YR	1	X				8	21-Jan-1989	21-Jan-2001
	H	N	825YR	1 1/2	X				8	22-Jul-1989	22-Jul-2001
	H	N	825YR	2	X				8	22-Jul-1989	22-Jul-2001
	H	Y	835B	3/4	X				5	5-Mar-1975	5-Mar-1999
	H	Y	835B	1	X				5	5-Mar-1975	5-Mar-1999
	H	Y	835B	1 1/2	X				5	5-Mar-1975	5-Mar-1999
	H	Y	835B	2	X				5	5-Mar-1975	5-Mar-1999
	H	N	860	1/2	X		X		9	8-Apr-1994	8-Apr-2000
	H	N	860	3/4	X		X		9	20-Nov-1993	20-Nov-1999
	H	N	860	1	X		X		9	20-Nov-1993	20-Nov-1999
	H	N	860	1 1/4	X		X		9	3-Jun-1994	3-Jun-2000
	H	N	860	1 1/2	X		X		9	8-Apr-1994	8-Apr-2000



	Orientation	Spare Parts Only	Model #	Sizes	U S C	I A P M O	A S S E	USC Approved Edition	USC Approved Date	USC Renewed Date
	H	N	RPZ	4	X			9	27-Jan-1995	27-Jan-2000
	H	N	RPZ	6	X			9	30-Jan-1998	30-Jan-2001
	H	N	RPZ	8	X			9	4-Feb-01	
	H	N	RPZE	3/4	X			8	6-Jun-1997	6-Jun-2000
	H	N	RPZE	1	X			8	6-Jun-1997	6-Jun-2000
	H	N	RPZE	1 1/2	X			8	6-Jun-1997	6-Jun-2000
	H	N	RPZE	2	X			8	6-Jun-1997	6-Jun-2000
	H	N	RPZII	1/2	X			8	14-Aug-1993	14-Aug-1999
	H	N	RPZII	3/4	X			8	14-Aug-1993	14-Aug-1999
	H	N	RPZIIIE	1/2	X			8	6-Jun-1997	6-Jun-2000
	H	N	RPZIIIE	3/4	X			8	6-Jun-1997	6-Jun-2000
<b>Watts</b>										
	H	N	009	2 1/2	X			8	30-Aug-1986	30-Aug-2001
	H	N	009	3	X			8	30-Aug-1986	30-Aug-2001
	H	Y	009	4	X			8	16-Feb-1991	16-Feb-2000
	H	Y	009	6	X			8	16-Feb-1991	16-Feb-2000
	H	Y	009M1PCQT	1 1/4	X			8	26-Sep-1990	26-Sep-1999
	H	Y	009M1PCQT	1 1/2	X			8	26-Sep-1990	26-Sep-1999
	H	Y	009M1PCQT	2	X			8	26-Sep-1990	26-Sep-1999
	H	Y	009M1QT	1 1/4	X			8	29-Jun-1988	29-Jun-2000
	H	Y	009M1QT	1 1/2	X			8	29-Jun-1988	29-Jun-2000
	H	Y	009M1QT	2	X			8	18-Dec-1987	18-Dec-1999
	H	N	009M2PCQT	3/4	X			8	6-Oct-1998	6-Oct-2001
	H	N	009M2PCQT	1	X			9	14-Jan-1995	14-Jan-2001
	H	N	009M2PCQT	1 1/4	X			8	11-Sep-1990	11-Sep-1999
	H	N	009M2PCQT	1 1/2	X			8	11-Sep-1990	11-Sep-1999
	H	N	009M2PCQT	2	X			9	25-Aug-1993	25-Aug-1999
	H	N	009M2QT	3/4	X	X	X	8	30-Oct-1988	30-Oct-2000
	H	N	009M2QT	1	X	X	X	9	17-May-1994	17-May-2000
	H	N	009M2QT	1 1/4	X	X	X	8	23-Aug-1989	23-Aug-2001
	H	N	009M2QT	1 1/2	X	X	X	8	23-Aug-1989	23-Aug-2001
	H	N	009M2QT	2	X		X	9	9-Sep-1992	9-Sep-2001
	H	N	009M3QT	3/4	X	X	X	9	17-Oct-1995	17-Oct-1998
	H	N	009PCQT	1/2	X			8	16-Feb-1991	16-Feb-2000
	H	N	009PCQT	3/4	X			8	9-Dec-1989	9-Dec-1998
	H	Y	009PCQT	1	X			8	9-Dec-1989	9-Dec-1998

	Orientation	Spare Parts Only	Model #	Sizes	U	I	A	A	USC Approved Edition	USC Approved Date	USC Renewed Date
					C	P	S	S			
					O	M	O	E			
	H	Y	009PCQT	1 1/4	X				8	26-Sep-1990	26-Sep-1999
	H	Y	009PCQT	1 1/2	X				8	26-Sep-1990	26-Sep-1999
	H	Y	009PCQT	2	X				8	26-Sep-1990	26-Sep-1999
	H	N	009QT	1/4	X	X	X		8	6-Aug-1991	6-Aug-2000
	H	N	009QT	3/8	X	X	X		8	6-Aug-1991	6-Aug-2000
Previously approved 8th Ed. 26 May 1993	H	N	009QT	1/2	X	X	X		9	9-Sep-1992	9-Sep-2001
	H	N	009QT	3/4	X	X	X		7	10-Jan-1984	10-Jan-2002
	H	Y	009QT	1	X	X	X		7	10-Jan-1984	10-Jan-2002
	H	Y	009QT	1 1/4	X		X		7	8-Aug-1984	8-Aug-1999
	H	Y	009QT	1 1/2	X		X		7	8-Aug-1984	8-Aug-1999
	H	Y	009QT	2	X		X		7	8-Aug-1984	8-Aug-1999
	H	Y	009SSM1PCQT	2	X				8	26-Sep-1990	26-Sep-1999
	H	Y	009SSM1QT	2	X				8	18-Dec-1987	18-Dec-1999
	H	Y	009SSPCQT	3/4	X				8	9-Dec-1989	9-Dec-1998
	H	Y	009SSPCQT	1	X				8	9-Dec-1989	9-Dec-2001
	H	Y	009SSPCQT	1 1/4	X				8	26-Sep-1990	26-Sep-1999
	H	Y	009SSPCQT	1 1/2	X				8	26-Sep-1990	26-Sep-1999
	H	Y	009SSPCQT	2	X				8	26-Sep-1990	26-Sep-1999
	H	Y	009SSQT	3/4	X				7	10-Jan-1984	10-Jan-2002
	H	Y	009SSQT	1	X				7	10-Jan-1984	10-Jan-2002
	H	Y	009SSQT	1 1/4	X				7	8-Aug-1984	8-Aug-1999
	H	Y	009SSQT	1 1/2	X				7	8-Aug-1984	8-Aug-1999
	H	Y	009SSQT	2	X				7	8-Aug-1984	8-Aug-1999
	H	N	909	2 1/2	X	X	X		7	11-Jun-1982	11-Jun-2000
	H	N	909	3	X	X	X		7	11-Jun-1982	11-Jun-2000
	H	N	909	4	X	X	X		6	14-Jan-1978	14-Jan-2002
	H	N	909	6	X	X	X		6	5-Jul-1977	5-Jul-2001
	H	Y	909	8	X	X			6	5-Jul-1977	5-Jul-2001
	H	Y	909	10	X	X			6	5-Jul-1977	5-Jul-2001
	H	N	909BB	2 1/2	X		X		6	3-Feb-1979	3-Feb-2000
	H	N	909BB	3	X		X		6	3-Feb-1979	3-Feb-2000
formerly 909HWQT	H	N	909HWM1QT	1 1/4	X				5	6-Feb-1976	6-Feb-2000
formerly 909HWQT	H	N	909HWM1QT	1 1/2	X				5	6-Feb-1976	6-Feb-2000
formerly 909HWQT	H	N	909HWM1QT	2	X				5	6-Feb-1976	6-Feb-2000
	H	N	909HWQT	3/4	X				5	28-Sep-1975	28-Sep-1999
	H	N	909HWQT	1	X				5	28-Sep-1975	28-Sep-1999
	H	N	909M1	8	X		X		8	30-Apr-1985	30-Apr-2000
	H	N	909M1	10	X		X		8	30-Apr-1985	30-Apr-2000

	Orientation	Spare Parts Only	Model #	Sizes	U	I	A	A	USC Approved Edition	USC Approved Date	USC Renewed Date
					S	P	S	S			
					C	O	E				
formerly 909QT	H	N	909M1QT	1 1/4	X	X	X		6	14-Jan-1978	14-Jan-2002
formerly 909QT	H	N	909M1QT	1 1/2	X	X	X		6	14-Jan-1978	14-Jan-2002
formerly 909QT	H	N	909M1QT	2	X	X	X		6	14-Jan-1978	14-Jan-2002
	H	N	909M1QTFDA	8	X				8	14-Oct-1986	14-Oct-1998
	H	N	909M1QTFDA	10	X				8	14-Oct-1986	14-Oct-1998
	H	N	909PCHWM1QT	1 1/4	X				8	1-Feb-1991	1-Feb-2000
	H	N	909PCHWM1QT	1 1/2	X				8	1-Feb-1991	1-Feb-2000
	H	N	909PCHWM1QT	2	X				8	1-Feb-1991	1-Feb-2000
	H	N	909PCHWQT	3/4	X				8	1-Feb-1991	1-Feb-2000
	H	N	909PCHWQT	1	X				8	1-Feb-1991	1-Feb-2000
	H	N	909PCM1QT	1 1/4	X				8	1-Feb-1991	1-Feb-2000
	H	N	909PCM1QT	1 1/2	X				8	1-Feb-1991	1-Feb-2000
	H	N	909PCM1QT	2	X				8	1-Feb-1991	1-Feb-2000
Previously Approved 8th Ed (2 February 1995)	H	N	909PCQT	3/4	X				9	8-Oct-1994	8-Oct-2000
Serial number 464100 and higher	VU	N	909PCQT	3/4	X				9	8-Oct-1994	8-Oct-2000
Previously Approved 8th Ed (2 February 1995)	H	N	909PCQT	1	X				9	8-Oct-1994	8-Oct-2000
Previously Approved 8th Ed (2 February 1995)	VU	N	909PCQT	1	X				9	8-Oct-1994	8-Oct-2000
Previously Approved 6th Ed. (15 Jan 1982) 9th	H	N	909QT	3/4	X	X	X		9	17-Jun-1994	17-Jun-2000
Serial number 461650 and higher	VU	N	909QT	3/4	X	X	X		9	17-Jun-1994	17-Jun-2000
Previously Approved 6th Ed. (15 Jan 1982) 9th	H	N	909QT	1	X	X	X		9	17-Jun-1994	17-Jun-2000
Serial number 461650 and higher	VU	N	909QT	1	X	X	X		9	17-Jun-1994	17-Jun-2000
	H	N	909QTFDA	2 1/2	X				8	14-Oct-1986	14-Oct-1998
	H	N	909QTFDA	3	X				8	14-Oct-1986	14-Oct-1998
	H	N	909QTFDA	4	X				8	14-Oct-1986	14-Oct-1998
	H	N	909QTFDA	6	X				8	14-Oct-1986	14-Oct-1998
			919AQT	3/4		X	X				
			919AQT	1		X	X				
			919AQT	1 1/4		X	X				
			919AQT	1 1/2		X	X				
			919AQT	2		X	X				
			919QT	3/4		X	X				
			919QT	1		X	X				
			919QT	1 1/4		X	X				
			919QT	1 1/2		X	X				
			919QT	2		X	X				
			919ZQT	3/4		X	X				
			919ZQT	1		X	X				
			919ZQT	1 1/4		X	X				

	Orientation	Spare Parts Only	Model #	Sizes	U	I	A	A	USC Approved Edition	USC Approved Date	USC Renewed Date
					S	P	S	S			
					C	O	E				
			919ZQT	1 1/2	X	X					
			919ZQT	2	X	X					
	H	N	957	2 1/2	X	X		9		6-Oct-1998	6-Oct-2001
	H	N	957	3	X	X		9		6-Oct-1998	6-Oct-2001
	H	N	957	4	X	X		9		6-Oct-1998	6-Oct-2001
	H	N	957	6	X	X		9		19-Dec-2000	
	VUVD	N	957N	2 1/2	X	X		9		13-Apr-1999	
	VUVD	N	957N	3	X	X		9		13-Apr-1999	
	VUVD	N	957N	4	X	X		9		13-Apr-1999	
	VUVU	N	957Z	2 1/2	X	X		9		13-Apr-1999	
	VUVU	N	957Z	3	X	X		9		13-Apr-1999	
	VUVU	N	957Z	4	X	X		9		13-Apr-1999	
	H	N	967	2 1/2	X	X		9		6-Oct-1998	6-Oct-2001
	H	N	967	3	X	X		9		6-Oct-1998	6-Oct-2001
	H	N	967	4	X	X		9		17-Jan-2001	
	VUVD	N	967N	2 1/2	X	X		9		13-Apr-1999	
	VUVD	N	967N	3	X	X		9		13-Apr-1999	
	VUVU	N	967Z	2 1/2	X	X		9		13-Apr-1999	
	VUVU	N	967Z	3	X	X		9		13-Apr-1999	
	H	Y	990	4	X			8		31-Oct-1988	31-Oct-2000
	H	Y	990	8	X			8		12-Jan-1989	12-Jan-2001
	H	Y	990QTFDA	4	X			8		12-Jan-1989	12-Jan-2001
	H	Y	990QTFDA	8	X			8		12-Jan-1989	12-Jan-2001
	H	Y	992	4	X			8		31-Oct-1988	31-Oct-2000
	H	Y	992	10	X			8		12-Jan-1989	12-Jan-2001
	H	N	994	2 1/2	X			8		14-Apr-1990	14-Apr-1999
	H	N	994	3	X			8		14-Apr-1990	14-Apr-1999
	H	N	994	4	X			8		14-Apr-1990	14-Apr-1999
	H	N	994	6	X			8		21-Sep-1993	21-Sep-1999
	H	N	995QT	1/2	X	X	X	9		12-Apr-1996	12-Apr-1999
	H	N	995QT	3/4	X	X	X	9		12-Apr-1996	12-Apr-1999
	H	N	995QT	1	X	X	X	9		13-Jan-1995	13-Jan-2001
	H	N	995QT	1 1/4	X	X	X	9		27-Mar-1998	27-Mar-2001
	H	N	995QT	1 1/2	X	X	X	9		27-Mar-1998	27-Mar-2001
	H	N	FAE909HWQT	1 1/4	X			5		6-Feb-1976	6-Feb-2000
	H	N	FAE909HWQT	1 1/2	X			5		6-Feb-1976	6-Feb-2000
	H	N	FAE909HWQT	2	X			5		6-Feb-1976	6-Feb-2000
	H	N	FAE909QT	1 1/4	X			6		14-Jan-1978	14-Jan-2002

	Orientation	Spare Parts Only	Model #	Sizes	U	I	A	A	USC Approved Edition	USC Approved Date	USC Renewed Date
					S	P	S	S			
					C	O	E				
H	N	FAE909QT	1 1/2	X				6	14-Jan-1978	14-Jan-2002	
H	N	FAE909QT	2	X				6	14-Jan-1978	14-Jan-2002	
H	N	SS009M3QT	1/4	X	X	X		9	18-Dec-1997	18-Dec-2000	
H	N	SS009M3QT	3/8	X	X	X		9	18-Dec-1997	18-Dec-2000	
H	N	SS009M3QT	1/2	X	X	X		9	18-Dec-1997	18-Dec-2000	
H	N	SS009M3QT	3/4	X	X	X		9	30-Jul-1997	30-Jul-2000	
H	N	SS009QT	1	X	X	X		9	17-May-1994	17-May-2000	
VDVD	N	U009APCQT	3/4	X				8	9-Dec-1989	9-Dec-2001	
VDVU	N	U009APCQT	3/4	X				8	9-Dec-1989	9-Dec-2001	
VUVD	N	U009APCQT	3/4	X				8	9-Dec-1989	9-Dec-2001	
VUVU	N	U009APCQT	3/4	X				8	9-Dec-1989	9-Dec-2001	
VDVD	Y	U009APCQT	1	X				8	9-Dec-1989	9-Dec-2001	
VDVU	Y	U009APCQT	1	X				8	9-Dec-1989	9-Dec-2001	
VUVD	Y	U009APCQT	1	X				8	9-Dec-1989	9-Dec-2001	
VUVU	Y	U009APCQT	1	X				8	9-Dec-1989	9-Dec-2001	
VDVD	N	U009AQT	3/4	X				8	11-Jun-1988	11-Jun-2000	
VDVU	N	U009AQT	3/4	X				8	11-Jun-1988	11-Jun-2000	
VUVD	N	U009AQT	3/4	X				8	11-Jun-1988	11-Jun-2000	
VUVU	N	U009AQT	3/4	X				8	11-Jun-1988	11-Jun-2000	
VDVD	Y	U009AQT	1	X				8	11-Jun-1988	11-Jun-2000	
VDVU	Y	U009AQT	1	X				8	11-Jun-1988	11-Jun-2000	
VUVD	Y	U009AQT	1	X				8	11-Jun-1988	11-Jun-2000	
VUVU	Y	U009AQT	1	X				8	11-Jun-1988	11-Jun-2000	
VDVD	Y	U009M1APCQT	1 1/2	X				8	26-Sep-1990	26-Sep-1999	
VDVU	Y	U009M1APCQT	1 1/2	X				8	26-Sep-1990	26-Sep-1999	
VUVD	Y	U009M1APCQT	1 1/2	X				8	26-Sep-1990	26-Sep-1999	
VUVU	Y	U009M1APCQT	1 1/2	X				8	26-Sep-1990	26-Sep-1999	
VDVD	Y	U009M1APCQT	2	X				8	26-Sep-1990	26-Sep-1999	
VDVU	Y	U009M1APCQT	2	X				8	26-Sep-1990	26-Sep-1999	
VUVD	Y	U009M1APCQT	2	X				8	26-Sep-1990	26-Sep-1999	
VUVU	Y	U009M1APCQT	2	X				8	26-Sep-1990	26-Sep-1999	
VDVD	Y	U009M1AQT	1 1/2	X				8	15-Dec-1988	15-Dec-2000	
VDVU	Y	U009M1AQT	1 1/2	X				8	15-Dec-1988	15-Dec-2000	
VUVD	Y	U009M1AQT	1 1/2	X				8	15-Dec-1988	15-Dec-2000	
VUVU	Y	U009M1AQT	1 1/2	X				8	15-Dec-1988	15-Dec-2000	
VDVD	Y	U009M1AQT	2	X				8	8-Nov-1988	8-Nov-2000	
VDVU	Y	U009M1AQT	2	X				8	8-Nov-1988	8-Nov-2000	
VUVD	Y	U009M1AQT	2	X				8	8-Nov-1988	8-Nov-2000	

	Orientation	Spare Parts Only	Model #	Sizes	U S C	I A P M O	A S S E	USC Approved Edition	USC Approved Date	USC Renewed Date
	VUVU	Y	U009M1AQT	2	X			8	8-Nov-1988	8-Nov-2000
	H	N	U009M1PCQT	1 1/4	X			8	26-Sep-1990	26-Sep-1999
	H	N	U009M1PCQT	1 1/2	X			8	26-Sep-1990	26-Sep-1999
	H	N	U009M1PCQT	2	X			8	26-Sep-1990	26-Sep-1999
	H	N	U009M1QT	1 1/4	X		X	8	29-Jun-1988	29-Jun-2000
	H	Y	U009M1QT	1 1/2	X		X	8	29-Jun-1988	29-Jun-2000
	H	Y	U009M1QT	2	X		X	8	29-Jun-1988	29-Jun-2000
	VDVD	N	U009M2APCQT	1	X			9	14-Jan-1995	14-Jan-2001
	VDVU	N	U009M2APCQT	1	X			9	14-Jan-1995	14-Jan-2001
	VUVD	N	U009M2APCQT	1	X			9	14-Jan-1995	14-Jan-2001
	VUVU	N	U009M2APCQT	1	X			9	14-Jan-1995	14-Jan-2001
	VDVD	N	U009M2APCQT	1 1/2	X			8	11-Sep-1990	11-Sep-1999
	VDVU	N	U009M2APCQT	1 1/2	X			8	11-Sep-1990	11-Sep-1999
	VUVD	N	U009M2APCQT	1 1/2	X			8	11-Sep-1990	11-Sep-1999
	VUVU	N	U009M2APCQT	1 1/2	X			8	11-Sep-1990	11-Sep-1999
	VDVD	N	U009M2APCQT	2	X			9	25-Aug-1993	25-Aug-1999
	VDVU	N	U009M2APCQT	2	X			9	25-Aug-1993	25-Aug-1999
	VUVD	N	U009M2APCQT	2	X			9	25-Aug-1993	25-Aug-1999
	VUVU	N	U009M2APCQT	2	X			9	25-Aug-1993	25-Aug-1999
	VDVD	N	U009M2AQT	1	X		X	9	14-Jan-1995	14-Jan-2001
	VDVU	N	U009M2AQT	1	X		X	9	14-Jan-1995	14-Jan-2001
	VUVD	N	U009M2AQT	1	X		X	9	14-Jan-1995	14-Jan-2001
	VUVU	N	U009M2AQT	1	X		X	9	14-Jan-1995	14-Jan-2001
	VDVD	N	U009M2AQT	1 1/2	X			8	23-Aug-1989	23-Aug-2001
	VDVU	N	U009M2AQT	1 1/2	X			8	23-Aug-1989	23-Aug-2001
	VUVD	N	U009M2AQT	1 1/2	X			8	23-Aug-1989	23-Aug-2001
	VUVU	N	U009M2AQT	1 1/2	X			8	23-Aug-1989	23-Aug-2001
	VDVD	N	U009M2AQT	2	X			9	25-Aug-1993	25-Aug-1999
	VDVU	N	U009M2AQT	2	X			9	25-Aug-1993	25-Aug-1999
	VUVD	N	U009M2AQT	2	X			9	25-Aug-1993	25-Aug-1999
	VUVU	N	U009M2AQT	2	X			9	25-Aug-1993	25-Aug-1999
	H	N	U009M2PCQT	1	X			9	14-Jan-1995	14-Jan-2001
	H	N	U009M2PCQT	1 1/2	X			8	11-Sep-1990	11-Sep-1999
	H	N	U009M2PCQT	2	X			9	25-Aug-1993	25-Aug-1999
	H	N	U009M2QT	3/4	X			8	15-Nov-1988	15-Nov-2000
	H	N	U009M2QT	1	X		X	9	14-Jan-1995	14-Jan-2001
	H	N	U009M2QT	1 1/2	X		X	8	23-Aug-1989	23-Aug-2001
	H	N	U009M2QT	2	X		X	9	25-Aug-1993	25-Aug-1999

	Orientation	Spare Parts Only	Model #	Sizes	U	A	A	USC Approved Edition	USC Approved Date	USC Renewed Date
					S	P	S			
					C	O	E			
	H	N	U009PCQT	1/2	X			8	1-Feb-1991	1-Feb-2000
	H	N	U009PCQT	3/4	X			8	9-Dec-1989	9-Dec-2001
	H	Y	U009PCQT	1	X			8	9-Dec-1989	9-Dec-2001
	H	Y	U009PCQT	1 1/4	X			8	26-Sep-1990	26-Sep-1999
	H	Y	U009PCQT	1 1/2	X			8	26-Sep-1990	26-Sep-1999
	H	Y	U009PCQT	2	X			8	26-Sep-1990	26-Sep-1999
	H	N	U009QT	1/2	X			8	1-Feb-1991	1-Feb-2000
	H	Y	U009QT	3/4	X		X	7	10-Jan-1984	10-Jan-2002
	H	Y	U009QT	1	X		X	7	10-Jan-1984	10-Jan-2002
	H	Y	U009QT	1 1/4	X		X	7	8-Aug-1984	8-Aug-1999
	H	Y	U009QT	1 1/2	X		X	7	8-Aug-1984	8-Aug-1999
	H	Y	U009QT	2	X			7	8-Aug-1984	8-Aug-1999
	H	Y	U009SSPCQT	3/4	X			8	9-Dec-1989	9-Dec-2001
	H	Y	U009SSPCQT	1	X			8	9-Dec-1989	9-Dec-2001
	H	Y	U009SSPCQT	1 1/4	X			8	26-Sep-1990	26-Sep-1999
	H	Y	U009SSPCQT	1 1/2	X			8	26-Sep-1990	26-Sep-1999
	H	Y	U009SSPCQT	2	X			8	26-Sep-1990	26-Sep-1999
	H	Y	U009SSQT	3/4	X			7	10-Jan-1984	10-Jan-2002
	H	Y	U009SSQT	1	X			7	10-Jan-1984	10-Jan-2002
	H	Y	U009SSQT	1 1/4	X			7	8-Aug-1984	8-Aug-1999
	H	Y	U009SSQT	1 1/2	X			7	8-Aug-1984	8-Aug-1999
	H	Y	U009SSQT	2	X			7	8-Aug-1984	8-Aug-1999
	H	N	U909HWQT	3/4	X			5	28-Sep-1975	28-Sep-1999
	H	N	U909HWQT	1	X			5	28-Sep-1975	28-Sep-1999
Approved 6th Ed. (15 Jan 1982), 9th Ed. Approved S/N 464100 and greater	H	N	U909QT	3/4	X			9	8-Oct-1994	8-Oct-2000
	VU	N	U909QT	3/4	X			9	8-Oct-1994	8-Oct-2000
Approved 6th Ed. (15 Jan 1982), 9th Ed. Approved S/N 464100 and greater	H	N	U909QT	1	X			9	8-Oct-1994	8-Oct-2000
	VU	N	U909QT	1	X			9	8-Oct-1994	8-Oct-2000
			U919QTR10	1/2	X	X				
			U919QTR10	3/4	X	X				
<b>Wilkins</b>										
	H	N	375	2 1/2	X		X	9	27-Sep-1997	27-Sep-2000
	H	N	375	3	X		X	9	27-Sep-1997	27-Sep-2000
	H	N	375	4	X		X	9	26-Mar-1996	26-Mar-1999
	H	N	375	6	X		X	9	26-Jul-1996	26-Jul-1999
	H	N	375	8	X		X	9	10-Nov-1998	10-Nov-2001
	H	N	375	10	X		X	9	21-Nov-2000	

	Orientation	Spare Parts Only	Model #	Sizes	U	I	A	A	USC Approved Edition	USC Approved Date	USC Renewed Date
					S	P	S	S			
					C	O	E				
H	N	375A	4	X	X	X		9	1-Jun-2000		
H	N	375A	6	X	X	X		9	24-Nov-1999		
H	N	375A	8	X	X	X		9	14-Jun-2000		
H	N	375G	2 1/2	X				9	2-Apr-1998	2-Apr-2001	
H	N	375G	3	X				9	2-Apr-1998	2-Apr-2001	
H	N	375G	4	X				9	9-Apr-1996	9-Apr-1999	
H	N	375G	6	X				9	26-Jul-1996	26-Jul-1999	
H	N	375G	8	X				9	11-Feb-2000		
H	N	375GPI	4	X				9	30-Jul-1997	30-Jul-2000	
H	N	375GPI	6	X				9	30-Jul-1997	30-Jul-2000	
H	N	375GPI	8	X				9	11-Feb-2000		
H	N	375MS	2 1/2	X		X		9	2-Jul-1999		
H	N	375MS	3	X		X		9	2-Jul-1999		
H	N	375MS	4	X		X		9	2-Jul-1999		
H	N	375MS	6	X		X		9	2-Jul-1999		
H	N	375MS	8	X		X		9	2-Jul-1999		
H	N	375MS	10	X				9	28-Mar-2001		
H	N	375PI	4	X				9	30-Jul-1997	30-Jul-2000	
H	N	375PI	6	X				9	30-Jul-1997	30-Jul-2000	
H	N	375PI	8	X				9	11-Feb-2000		
VUVD	N	475	2 1/2	X	X	X		9	23-Jan-1998	23-Jan-2001	
VUVD	N	475	3	X	X	X		9	23-Jan-1998	23-Jan-2001	
VUVD	N	475	4	X	X	X		9	26-Jul-1996	26-Jul-1999	
VUVD	N	475	6	X	X	X		9	26-Jul-1996	26-Jul-1999	
VUVD	N	475	8	X	X	X		9	2-Jul-1999		
VUVD	N	475	10	X	X	X		9	21-Nov-2000		
VUVD	N	475G	2 1/2	X				9	23-Jan-1998	23-Jan-2001	
VUVD	N	475G	3	X				9	23-Jan-1998	23-Jan-2001	
VUVD	N	475G	4	X				9	24-Aug-1996	24-Aug-1999	
VUVD	N	475G	6	X				9	24-Aug-1996	24-Aug-1999	
VUVD	N	475MS	2 1/2	X		X		9	2-Jul-1999		
VUVD	N	475MS	3	X		X		9	2-Jul-1999		
VUVD	N	475MS	4	X		X		9	2-Jul-1999		
VUVD	N	475MS	6	X		X		9	2-Jul-1999		
VUVD	N	475MS	8	X		X		9	2-Jul-1999		
H	N	475MS	10	X				9	28-Mar-2001		
VUVU	N	475V	2 1/2	X	X			9	23-Jan-1998	23-Jan-2001	
VUVU	N	475V	3	X	X			9	23-Jan-1998	23-Jan-2001	

	Orientation	Spare Parts Only	Model #	Sizes	U	A	A	USC Approved Edition	USC Approved Date	USC Renewed Date
					S	P	S			
					C	O	E			
	VUVU	N	475V	4	X	X		9	8-Sep-1996	8-Sep-1999
	VUVU	N	475V	6	X	X		9	30-May-1997	30-May-2000
	VUVU	N	475V	8	X	X		9	7-Jun-2000	
	VUVU	N	475V	10	X	X	X	9	21-Nov-2000	
	VUVU	N	475VG	2 1/2	X			9	23-Jan-1998	23-Jan-2001
	VUVU	N	475VG	3	X			9	23-Jan-1998	23-Jan-2001
	VUVU	N	475VG	4	X			9	12-Dec-1996	12-Dec-1999
	VUVU	N	475VG	6	X			9	5-Aug-1997	5-Aug-2000
	VUVU	N	475VMS	2 1/2	X			9	2-Jul-1999	
	VUVU	N	475VMS	3	X			9	2-Jul-1999	
	VUVU	N	475VMS	4	X			9	2-Jul-1999	
	VUVU	N	475VMS	6	X			9	2-Jul-1999	
	VUVU	N	475VMS	8	X			9	2-Jul-1999	
	H	N	475VMS	10	X			9	28-Mar-2001	
	H	Y	575	3/4	X	X		5	27-Apr-1972	27-Apr-1999
	H	Y	575	1	X	X		5	27-Apr-1972	27-Apr-1999
	H	Y	575	2 1/2	X	X		7	24-Sep-1982	24-Sep-2000
	H	Y	575	3	X	X		5	19-Aug-1975	19-Aug-1999
	H	Y	575	4	X	X		5	7-Jun-1976	7-Jun-2000
	H	Y	575	6	X	X		6	5-Jul-1977	5-Jul-2001
	H	Y	575 (MOD-III)	1 1/4	X			5	10-Oct-1972	10-Oct-1999
	H	Y	575 (MOD-III)	1 1/2	X			5	10-Oct-1972	10-Oct-1999
	H	Y	575 (MOD-III)	2	X			5	10-Oct-1972	10-Oct-1999
	H	Y	575A	3/4	X			7	16-Apr-1983	16-Apr-2001
	H	Y	575A	1	X			7	16-Apr-1983	16-Apr-2001
6"x6"x10" manifold, formerly MBC-10"	H	Y	575M10	10	X	X		6	31-May-1979	31-May-2000
4"x4"x8" manifold, formerly MBC-8"	H	Y	575M8	8	X	X		6	10-Apr-1979	10-Apr-2000
	H	N	975	3/4	X	X	X	8	17-Jul-1987	17-Jul-1999
	H	N	975	1	X	X	X	8	17-Jul-1987	17-Jul-1999
	H	N	975	1 1/4	X	X	X	8	17-Jul-1987	17-Jul-1999
	H	N	975	1 1/2	X	X	X	8	17-Jul-1987	17-Jul-1999
	H	N	975	2	X	X	X	8	17-Jul-1987	17-Jul-1999
	H	N	975	2 1/2	X	X	X	8	25-Nov-1987	25-Nov-1999
	H	N	975	3	X	X	X	8	7-Nov-1987	7-Nov-1999
	H	N	975	4	X	X	X	8	7-Nov-1987	7-Nov-1999
	H	N	975	6	X	X	X	8	7-Nov-1987	7-Nov-1999
	H	N	975	8	X	X	X	8	5-Feb-1991	5-Feb-2000
	H	N	975	10	X	X	X	8	5-Feb-1991	5-Feb-2000

	Orientation	Spare Parts Only	Model #	Sizes	U S C	I A P M O	A S S E	USC Approved Edition	USC Approved Date	USC Renewed Date
	H	N	975A	3/4	X			8	17-Jul-1987	17-Jul-1999
	H	N	975A	1	X			8	17-Jul-1987	17-Jul-1999
	H	N	975A	1 1/4	X			8	17-Jul-1987	17-Jul-1999
	H	N	975A	1 1/2	X			8	17-Jul-1987	17-Jul-1999
	H	N	975A	2	X			8	17-Jul-1987	17-Jul-1999
	H	N	975BMS	2 1/2	X	X	X	8	16-Jun-1993	16-Jun-1999
	H	N	975BMS	3	X	X	X	8	16-Jun-1993	16-Jun-1999
	H	N	975BMS	4	X	X	X	8	16-Jun-1993	16-Jun-1999
	H	N	975BMS	6	X	X	X	8	16-Jun-1993	16-Jun-1999
	H	N	975BMS	8	X	X	X	8	16-Jun-1993	16-Jun-1999
	H	N	975BMS	10	X	X	X	8	16-Jun-1993	16-Jun-1999
	H	N	975G	4	X			8	26-Mar-1996	26-Mar-1999
	H	N	975G	6	X			8	26-Mar-1996	26-Mar-1999
	H	N	975MS	2 1/2	X	X	X	8	4-May-1991	4-May-2000
	H	N	975MS	3	X	X	X	8	4-May-1991	4-May-2000
	H	N	975MS	4	X	X	X	8	4-May-1991	4-May-2000
	H	N	975MS	6	X	X	X	8	4-May-1991	4-May-2000
	H	N	975MS	8	X	X	X	8	4-Dec-1992	4-Dec-1998
	H	N	975MS	10	X	X	X	8	4-Dec-1992	4-Dec-1998
	H	N	975XL	1/4	X		X	8	11-Jul-1990	11-Jul-1999
	H	N	975XL	3/8	X		X	8	11-Jul-1990	11-Jul-1999
	H	N	975XL	1/2	X	X	X	8	11-Jul-1990	11-Jul-1999
	H	N	975XL	3/4	X	X	X	8	1-Nov-1988	1-Nov-2000
	H	N	975XL	1	X	X	X	8	1-Nov-1988	1-Nov-2000
	H	N	975XL	1 1/4	X	X	X	8	1-Nov-1988	1-Nov-2000
	H	N	975XL	1 1/2	X	X	X	8	1-Nov-1988	1-Nov-2000
	H	N	975XL	2	X	X	X	8	1-Nov-1988	1-Nov-2000
	H	N	975XLBMS	3/4	X	X	X	8	8-May-1993	8-May-1999
	H	N	975XLBMS	1	X	X	X	8	8-May-1993	8-May-1999
	H	N	975XLBMS	1 1/4	X	X	X	8	8-May-1993	8-May-1999
	H	N	975XLBMS	1 1/2	X	X	X	8	8-May-1993	8-May-1999
	H	N	975XLBMS	2	X	X	X	8	8-May-1993	8-May-1999
	H	N	975XLD	3/4	X			9	7-Oct-1998	7-Oct-2001
	H	N	975XLMS	3/4	X	X	X	8	29-Aug-1990	29-Aug-1999
	H	N	975XLMS	1	X	X	X	8	29-Aug-1990	29-Aug-1999
	H	N	975XLMS	1 1/4	X	X	X	8	29-Aug-1990	29-Aug-1999
	H	N	975XLMS	1 1/2	X	X	X	8	29-Aug-1990	29-Aug-1999
	H	N	975XLMS	2	X	X	X	8	29-Aug-1990	29-Aug-1999

	Orientation	Spare Parts Only	Model #	Sizes	U	A	P	A	USC Approved Edition	USC Approved Date	USC Renewed Date
					S	S	M	S			
					C	O	S	E			
	VUVD	N	975XLSE	3/4	X	X			9	15-Oct-1996	15-Oct-1999
	VUVU	N	975XLSE	3/4	X	X			9	15-Oct-1996	15-Oct-1999
	VUVD	N	975XLSE	1	X	X			9	15-Oct-1996	15-Oct-1999
	VUVU	N	975XLSE	1	X	X			9	15-Oct-1996	15-Oct-1999
	VUVD	N	975XLSE	1 1/4	X	X	X		9	3-Nov-1995	3-Nov-1998
	VUVU	N	975XLSE	1 1/4	X	X	X		9	3-Nov-1995	3-Nov-1998
	VUVD	N	975XLSE	1 1/2	X	X	X		9	3-Nov-1995	3-Nov-1998
	VUVU	N	975XLSE	1 1/2	X	X	X		9	3-Nov-1995	3-Nov-1998
	VUVD	N	975XLSE	2	X	X	X		9	3-Nov-1995	3-Nov-1998
	VUVU	N	975XLSE	2	X	X	X		9	3-Nov-1995	3-Nov-1998
	VUVD	N	975XLSEU	3/4	X	X			9	15-Oct-1996	15-Oct-1999
	VUVU	N	975XLSEU	3/4	X	X			9	15-Oct-1996	15-Oct-1999
	VUVD	N	975XLSEU	1	X	X			9	15-Oct-1996	15-Oct-1999
	VUVU	N	975XLSEU	1	X	X			9	15-Oct-1996	15-Oct-1999
	VUVD	N	975XLSEU	1 1/4	X	X	X		9	26-Mar-1996	26-Mar-1999
	VUVU	N	975XLSEU	1 1/4	X	X	X		9	26-Mar-1996	26-Mar-1999
	VUVD	N	975XLSEU	1 1/2	X	X	X		9	26-Mar-1996	26-Mar-1999
	VUVU	N	975XLSEU	1 1/2	X	X	X		9	26-Mar-1996	26-Mar-1999
	VUVD	N	975XLSEU	2	X	X	X		9	26-Mar-1996	26-Mar-1999
	VUVU	N	975XLSEU	2	X	X	X		9	26-Mar-1996	26-Mar-1999
	H	N	975XLST	3/8	X		X		9	18-Nov-1998	18-Nov-2001
	H	N	975XLST	1/2	X		X		9	18-Nov-1998	18-Nov-2001
	H	N	975XLU	3/4	X	X	X		8	1-Sep-1989	1-Sep-2001
	H	N	975XLU	1	X	X	X		8	1-Sep-1989	1-Sep-2001
	H	N	975XLU	1 1/2	X	X	X		8	1-Sep-1989	1-Sep-2001
	H	N	975XLU	2	X	X	X		8	1-Sep-1989	1-Sep-2001
	VUVD	N	975XLV	3/4	X	X	X		9	6-Jan-1997	6-Jan-2000
	VUVU	N	975XLV	3/4	X	X	X		9	6-Jan-1997	6-Jan-2000
	VUVD	N	975XLV	1	X	X	X		9	6-Jan-1997	6-Jan-2000
	VUVU	N	975XLV	1	X	X	X		9	6-Jan-1997	6-Jan-2000
<b>REDUCED PRESSURE PRINCIPLE DETECTOR ASSEMBLIES</b>											
<b>Ames</b>											
	H	N	5000	4	X		X		8	27-Dec-1985	27-Dec-2000
	H	N	5000	6	X		X		8	27-Dec-1985	27-Dec-2000
	H	N	5000	8	X		X		8	30-Jun-1985	30-Jun-2000

	Orientation	Spare Parts Only	Model #	Sizes	U	I	A	A	USC Approved Edition	USC Approved Date	USC Renewed Date
					C	P	S	S			
					O	M	O	E			
	H	N	5000	10	X		X		8	18-Mar-1986	18-Mar-2001
	H	N	5000CIV	2 1/2	X		X		8	6-Jul-1996	6-Jul-1999
	H	N	5000CIV	3	X		X		8	6-Jul-1996	6-Jul-1999
	H	N	5000CIV	4	X		X		8	6-Jul-1996	6-Jul-1999
	H	N	5000CIV	6	X		X		8	6-Jul-1996	6-Jul-1999
	H	N	5000CIV	8	X		X		8	6-Jul-1996	6-Jul-1999
	H	N	5000CIV	10	X		X		8	6-Jul-1996	6-Jul-1999
<b>Cla-Val</b>											
	H	Y	18-4	10	X				8	22-Aug-1986	22-Aug-2001
<b>Conbraco</b>											
formerly 4070003	H	N	40700C3	3	X		X		8	26-Jul-1989	26-Jul-2001
formerly 4070003	H	N	40700E3	3	X		X		8	26-Jul-1989	26-Jul-2001
formerly 4070A03	H	N	4070AC3	4	X		X		8	26-Jul-1989	26-Jul-2001
formerly 4070A03	H	N	4070AE3	4	X		X		8	26-Jul-1989	26-Jul-2001
formerly 4070C03	H	N	4070CC3	6	X		X		8	19-Oct-1989	19-Oct-1998
formerly 4070CC3	H	N	4070CE3	6	X		X		8	19-Oct-1989	19-Oct-1998
formerly 4070E03	H	N	4070EC3	8	X		X		8	23-May-1989	23-May-2001
formerly 4070E03	H	N	4070EE3	8	X		X		8	23-May-1989	23-May-2001
formerly 4070G03	H	N	4070GC3	10	X		X		8	12-Apr-1989	12-Apr-2001
formerly 4070G03	H	N	4070GE3	10	X		X		8	12-Apr-1989	2-Apr-2001
<b>Febco</b>											
formerly 826 Type YD	H	N	826YD	2 1/2	X		X		8	10-Nov-1984	10-Nov-1999
formerly 826 Type YD	H	N	826YD	3	X		X		8	10-Nov-1984	10-Nov-1999
formerly 826 Type YD	H	N	826YD	4	X		X		8	13-Oct-1984	13-Oct-1999
formerly 826 Type YD	H	N	826YD	6	X		X		8	28-Feb-1986	28-Feb-2001
formerly 826 Type YD	H	N	826YD	8	X		X		8	21-Jun-1986	21-Jun-2001
formerly 826 Type YD	H	N	826YD	10	X		X		8	21-Jun-1986	21-Jun-2001
<b>Watts</b>											
	H	Y	009NRSRPDA	4	X				8	31-Jan-1991	31-Jan-2000
	H	Y	009NRSRPDA	6	X				8	31-Jan-1991	31-Jan-2000
	H	Y	009OSYRPDA	4	X				8	31-Jan-1991	31-Jan-2000
	H	Y	009OSYRPDA	6	X				8	31-Jan-1991	31-Jan-2000

	Orientation	Spare Parts Only	Model #	Sizes	U	I	A	A	USC Approved Edition	USC Approved Date	USC Renewed Date
					S	P	S	S			
					C	O	O	E			
	H	N	909RPDA	2 1/2	X		X		8	15-Jun-1995	15-Jun-2001
formerly 909DDCM2	H	N	909RPDA	3	X		X		8	4-Oct-1984	4-Oct-1999
	H	N	909RPDA	4	X		X		8	8-Feb-1984	8-Feb-2002
formerly 909DDC	H	N	909RPDA	6	X		X		8	4-Oct-1984	4-Oct-1999
	H	N	909RPDA	8	X		X		8	13-Feb-1984	13-Feb-1999
	H	N	909RPDA	10	X		X		8	14-Feb-1984	14-Feb-1999
	H	Y	990RPDA	4	X				8	31-Oct-1988	10-Nov-2000
	H	Y	990RPDA	8	X				8	12-Jan-1989	12-Jan-2001
	H	Y	992RPDA	4	X				8	31-Oct-1988	10-Nov-2000
	H	Y	992RPDA	10	X				8	12-Jan-1989	12-Jan-2001
<b>Wilkins</b>											
	H	N	375ADA	4	X		X		9	1-Jun-2000	
	H	N	375ADA	6	X		X		9	24-Nov-1999	
	H	N	375ADA	8	X		X		9	14-Jun-2000	
	H	N	375DA	2 1/2	X				9	7-Oct-1998	7-Oct-2001
	H	N	375DA	3	X				9	7-Oct-1998	7-Oct-2001
	H	N	375DA	4	X		X		9	12-Dec-1996	12-Dec-1999
	H	N	375DA	6	X		X		9	30-May-1997	30-May-2000
	H	N	375DA	8	X		X		9	14-Jun-2000	
	H	N	375DA	10	X				9	21-Nov-2000	
	H	N	375DAG	4	X				9	30-Jul-1997	30-Jul-2000
	H	N	375DAG	6	X				9	5-Aug-1997	5-Aug-2000
	H	N	375DAGPI	4	X				9	30-Jul-1997	30-Jul-2000
	H	N	375DAGPI	6	X				9	27-Mar-1998	27-Mar-2001
	H	N	375DAPI	4	X				9	30-Jul-1997	30-Jul-2000
	H	N	375DAPI	6	X				9	27-Mar-1998	27-Mar-2001
	VUVD	N	475DA	4	X		X		9	19-Mar-1997	19-Mar-2000
	VUVD	N	475DA	6	X		X		9	30-May-1997	30-May-2000
	VUVD	N	475DA	8	X		X		9	10-Aug-2000	
	VUVD	N	475DAG	4	X				9	5-Aug-1997	5-Aug-2000
	VUVD	N	475DAG	6	X				9	5-Aug-1997	5-Aug-2000
	VUVU	N	475DAV	4	X				9	19-Mar-1997	19-Mar-2000
	VUVU	N	475DAV	6	X		X		9	19-Jul-2000	
	VUVU	N	475DAV	8	X		X		9	23-Apr-2000	
	VUVU	N	475DAVG	4	X				9	5-Aug-1997	5-Aug-2000
	VUVU	N	475DAVG	8	X				9	23-Apr-2000	
	H	N	975DA	2 1/2	X		X		8	31-Jan-1990	31-Jan-2002

	Orientation	Spare Parts Only	Model #	Sizes	U	I	A	A	USC Approved Edition	USC Approved Date	USC Renewed Date
					S	P	S	S			
					C	O	E				
	H	N	975DA	3	X		X		8	31-Jan-1990	31-Jan-2002
	H	N	975DA	4	X		X		8	31-Oct-1989	31-Oct-1998
	H	N	975DA	6	X		X		8	13-Mar-1990	13-Mar-1999
	H	N	975DA	8	X		X		8	4-Dec-1992	4-Dec-1998
	H	N	975DA	10	X		X		8	4-Dec-1992	4-Dec-1998
	H	N	975DAG	4	X				8	26-Mar-1996	26-Mar-1999
	H	N	975DAG	6	X				8	26-Mar-1996	26-Mar-1999
<b>SPILL RESISTANT PRESSURE VACUUM BREAKERS</b>											
<b>Conbraco</b>											
	H	N	SVB	1/4	X	X			9	29-Nov-1996	29-Nov-1999
	H	N	SVB	3/8	X	X			9	29-Nov-1996	29-Nov-1999
	H	N	SVB	1/2	X	X			9	29-Nov-1996	29-Nov-1999
<b>Watts</b>											
	VUH	N	008PCQT	3/8	X		X		9	17-Nov-1994	17-Nov-2000
	VUH	N	008PCQT	1/2	X		X		9	17-Nov-1994	17-Nov-2000
	VUH	N	008PCQT	3/4	X		X		9	18-Jun-1996	18-Jun-1999
	VUH	N	008PCQT	1	X		X		9	18-Jun-1996	18-Jun-1999
<b>PRESSURE VACUUM BREAKERS</b>											
<b>Ames</b>											
	VUH	N	A200	3/4	X		X		8	5-Apr-1989	5-Apr-2001
	VUH	N	A200	1	X		X		8	24-May-1989	24-May-2001
	VUH	N	A200	1 1/2	X		X		8	20-Jun-1989	20-Jun-2001
	VUH	N	A200	2	X		X		8	20-Jun-1989	20-Jun-2001
<b>Buckner</b>											
	VUH	Y	24199	1/2	X				8	9-Dec-1987	9-Dec-1999
	VUH	Y	24199/25	1/2	X				8	9-Dec-1987	9-Dec-1999
	VUH	Y	24200	3/4	X				8	9-Dec-1987	9-Dec-1999
	VUH	Y	24200/25	3/4	X				8	9-Dec-1987	9-Dec-1999
	VUH	Y	24201	1	X				8	9-Dec-1987	9-Dec-1999
	VUH	Y	24201/25	1	X				8	9-Dec-1987	9-Dec-1999

	Orientation	Spare Parts Only	Model #	Sizes	U	I	A	A	USC Approved Edition	USC Approved Date	USC Renewed Date
					S	P	S	S			
					C	O	E				
	VUH	Y	24202	1 1/4	X				8	8-Sep-1988	8-Sep-2000
	VUH	Y	24202/25	1 1/4	X				8	8-Sep-1988	8-Sep-2000
	VUH	Y	24203	1 1/2	X				8	8-Sep-1988	8-Sep-2000
	VUH	Y	24203/25	1 1/2	X				8	8-Sep-1988	8-Sep-2000
	VUH	Y	24204	2	X				8	8-Sep-1988	8-Sep-2000
	VUH	Y	24204/25	2	X				8	8-Sep-1988	8-Sep-2000
<b>Conbraco</b>											
	VUH	N	4050302	1/2	X		X		8	5-Sep-1987	5-Sep-1999
	VUH	N	4050402	3/4	X		X		8	5-Sep-1987	5-Sep-1999
	VUH	N	4050502	1	X		X		8	5-Sep-1987	5-Sep-1999
	VUH	N	4050602	1 1/4	X				8	30-Nov-1989	30-Nov-1998
	VUH	N	4050702	1 1/2	X				8	30-Nov-1989	30-Nov-1998
	VUH	N	4050802	2	X				8	30-Nov-1989	30-Nov-1998
	VUH	N	PVB	1/2	X		X		9	22-Sep-1995	22-Sep-2001
	VUH	N	PVB	3/4	X		X		9	22-Sep-1995	22-Sep-2001
	VUH	N	PVB	1	X		X		9	22-Sep-1995	22-Sep-2001
	VUH	N	PVB	1 1/4	X		X		9	6-Oct-1998	6-Oct-2001
	VUH	N	PVB	1 1/2	X		X		9	6-Oct-1998	6-Oct-2001
	VUH	N	PVB	2	X		X		9	17-Jun-1999	
<b>Febco</b>											
	VUH	N	745	3/4	X				6	9-May-1979	9-May-2000
	VUH	N	745	1	X				6	9-May-1979	9-May-2000
	VUH	N	765	1/2	X		X		5	25-Mar-1970	30-Jun-2000
	VUH	N	765	3/4	X		X		5	25-Mar-1970	30-Jun-2000
	VUH	N	765	1	X		X		5	25-Mar-1970	30-Jun-2000
	VUH	N	765	1 1/4	X		X		5	25-Mar-1970	30-Jun-2000
	VUH	N	765	1 1/2	X		X		5	25-Mar-1970	30-Jun-2000
	VUH	N	765	2	X		X		5	25-Mar-1970	30-Jun-2000
	VUH	N	766	1	X				9	30-Aug-1995	30-Aug-2001
<b>Flomatic</b>											
	VUH	N	PVB	3/4	X				9	20-Nov-1993	20-Nov-1999
	VUH	N	PVB	1	X				9	20-Nov-1993	20-Nov-1999

	Orientation	Spare Parts Only	Model #	Sizes	U S C	I A P M O	A S S E	USC Approved Edition	USC Approved Date	USC Renewed Date
<b>Watts</b>										
	VUH	N	800CMQT	1/2	X		X	8	17-Jul-1985	17-Jul-2000
	VUH	N	800CMQT	3/4	X		X	8	17-Jul-1985	17-Jul-2000
	VUH	Y	800M2QT	1/2	X			8	8-Jul-1987	8-Jul-1999
	VUH	Y	800M2QT	3/4	X		X	8	8-Jul-1987	8-Jul-1999
	VUH	Y	800M2QT	1	X		X	8	8-Jul-1987	8-Jul-1999
	VUH	Y	800M2QT	1 1/4	X		X	8	24-Mar-1989	24-Mar-2001
	VUH	Y	800M2QT	1 1/2	X		X	8	24-Mar-1989	24-Mar-2001
	VUH	Y	800M2QT	2	X		X	8	24-Mar-1989	24-Mar-2001
	VUH	Y	800M3QT	1/2	X		X	8	23-Feb-1988	23-Feb-2000
	VUH	Y	800M3QT	3/4	X		X	8	23-Feb-1988	23-Feb-2000
	VUH	N	800M4FR	1/2	X		X	9	11-May-1994	11-May-2000
	VUH	N	800M4FR	3/4	X		X	9	11-May-1994	11-May-2000
	VUH	N	800M4FR	1	X			9	31-Aug-1991	31-Aug-2000
	VUH	N	800M4FR	1 1/4	X		X	9	12-May-1993	12-May-1999
	VUH	N	800M4FR	1 1/2	X		X	9	12-May-1993	12-May-1999
	VUH	N	800M4FR	2	X		X	9	12-May-1993	12-May-1999
	VUH	N	800M4QT	1/2	X		X	8	5-Sep-1989	5-Sep-2001
	VUH	N	800M4QT	3/4	X		X	8	5-Apr-1989	5-Apr-2001
	VUH	N	800M4QT	1	X		X	8	24-May-1989	24-May-2001
	VUH	N	800M4QT	1 1/4	X		X	8	23-May-1990	23-May-1999
	VUH	N	800M4QT	1 1/2	X		X	8	20-Jun-1989	20-Jun-2001
	VUH	N	800M4QT	2	X		X	8	20-Jun-1989	20-Jun-2001
	VUH	N	800MQT	1/2	X			8	17-Jul-1985	17-Jul-2000
	VUH	N	800MQT	3/4	X			8	17-Jul-1985	17-Jul-2000
	VUH	Y	800QT	3/4	X			5	13-Feb-1974	13-Feb-2001
	VUH	Y	800QT	1	X			5	13-Feb-1974	13-Feb-2001
	VUH	Y	800QT	1 1/4	X			5	13-Feb-1974	13-Feb-2001
	VUH	Y	800QT	1 1/2	X			5	13-Feb-1974	13-Feb-2001
	VUH	Y	800QT	2	X			5	13-Feb-1974	13-Feb-2001
<b>Wilkins</b>										
	VUH	N	420	1/2	X		X	9	16-Jul-1995	16-Jul-2001
	VUH	N	420	3/4	X		X	9	16-Jul-1995	16-Jul-2001
	VUH	N	420	1	X		X	9	28-Sep-1996	28-Sep-1999
	VUH	N	720A	1/2	X		X	5	27-Aug-1974	27-Aug-2001
	VUH	N	720A	3/4	X		X	5	27-Aug-1974	27-Aug-2001

	Orientation	Spare Parts Only	Model #	Sizes	U S C	I A P S O	A S E	USC Approved Edition	USC Approved Date	USC Renewed Date
	VUH	N	720A	1	X		X	5	27-Aug-1974	27-Aug-2001
	VUH	N	720A	1 1/4	X		X	5	27-Aug-1974	27-Aug-2001
	VUH	N	720A	1 1/2	X		X	5	27-Aug-1974	27-Aug-2001
	VUH	N	720A	2	X		X	5	27-Aug-1974	27-Aug-2001
<b>ATMOSPHERIC VACUUM BREAKERS</b>										
<b>American Standard</b>										
			7837	1/2	X		X			
<b>Ames Company</b>										
	VUH	N	A100	3/4	X		X	8	31-Oct-1987	31-Oct-1999
	VUH	N	A100	1	X		X	8	31-Oct-1987	31-Oct-1999
	VUH	N	A100	1 1/2	X		X	8	26-Sep-1987	26-Sep-1999
	VUH	N	A100	2	X		X	8	20-Aug-1987	20-Aug-1999
<b>Arrowhead Brass</b>										
	H	N	58	1/2	X			6	17-Mar-1979	17-Mar-2000
<b>Belvedere USA Corp</b>										
			403	1/4		X	X			
			403L	1/4		X	X			
<b>Cash Acme / Reliance</b>										
			V101	1/2		X	X			
			V101	3/4		X	X			
			V101	1		X	X			
<b>Champion Brass</b>										
	H	N	162	3/4	X			7	12-Jan-1982	12-Jan-2000
	H	N	162	1	X			7	12-Jan-1982	12-Jan-2000
	H	N	162	1 1/4	X			7	12-Jan-1982	12-Jan-2000
	H	N	162	1 1/2	X			7	12-Jan-1982	12-Jan-2000
	H	N	162	2	X			7	12-Jan-1982	12-Jan-2000
	VUH	N	262	3/4	X	X		7	12-Jan-1982	12-Jan-2000

	Orientation	Spare Parts Only	Model #	Sizes	U	I	A	A	USC Approved Edition	USC Approved Date	USC Renewed Date
					C	P	S	S			
					O	M					
					E	S					
	VUH	N	262	1	X	X			7	12-Jan-1982	12-Jan-2000
	VUH	N	262	1 1/4	X	X			7	12-Jan-1982	12-Jan-2000
	VUH	N	262	1 1/2	X	X			7	12-Jan-1982	12-Jan-2000
	VUH	N	262	2	X	X			7	12-Jan-1982	12-Jan-2000
	VUH	Y	362	3/4	X	X			7	12-Jan-1982	12-Jan-2000
	VUH	Y	362	1	X	X			7	12-Jan-1982	12-Jan-2000
	VUVD	Y	466P	3/4	X				7	12-Jan-1982	12-Jan-2000
	VUVD	Y	466P	1	X				7	12-Jan-1982	12-Jan-2000
<b>Ecolab</b>											
			A-25F	1/4	X	X					
<b>Hunter Industries</b>											
			AVB-100	1"	X	X					
<b>Johnson Diversey</b>											
			093605	3/8	X	X					
<b>Rain Bird Sprinkler</b>											
	VUVD	N	APAS075	3/4	X				6	21-Apr-1978	21-Apr-1999
	VUVD	N	DAS075	3/4	X				6	21-Apr-1978	21-Apr-1999
<b>Strahman</b>											
	H	N	HShorizontal	3/4	X				6	14-Sep-1977	14-Sep-2001
	VD	N	HSvertical	3/4	X				6	4-Jun-1977	4-Jun-2001
<b>Watts</b>											
			188A / 288A	1/4	X	X					
				1/2	X	X					
				3/4	X	X					
				1	X	X					
				1 1/4	X	X					
				1 1/2	X	X					
				2	X	X					
				2 1/2	X	X					

	Orientation	Spare Parts Only	Model #	Sizes	U S C	I A P S O E	A S S E S S M E N T	USC Approved Edition	USC Approved Date	USC Renewed Date
				3	X	X				
			289	3/8	X	X				
				1/2	X	X				
			388A	1/4	X	X				
				3/8	X	X				
	VUH	N	288AM3	1 1/4	X			8	11-Aug-1987	11-Aug-1999
	VUH	N	288AM3	1 1/2	X			8	26-Sep-1987	26-Sep-1999
	VUH	N	288AM3	2	X			8	20-Aug-1987	20-Aug-1999
	VUH	N	288AM3	2 1/2	X			8	9-Sep-1987	9-Sep-1999
	VUH	N	288AM3	3	X			8	15-Sep-1987	15-Sep-1999
	VUH	N	288AM5	3/4	X			8	31-Oct-1987	31-Oct-1999
	VUH	N	288AM5	1	X			8	31-Oct-1987	31-Oct-1999
<b>Wilkins</b>										
			30	1/2	X	X				
				3/4	X	X				
				1	X	X				
				1 1/4	X	X				
				1 1/2	X	X				
				2	X	X				
			35	1/4	X	X				
				3/8	X	X				
				1/2	X	X				
				3/4	X	X				
				1	X	X				
				1 1/4	X	X				
				1 1/2	X	X				
				2	X	X				
<b><u>HOSE BIBB VACUUM BREAKERS</u></b>										
<b>Arrowhead Brass</b>										
			59 ABP	3/4	X	X				
<b>Cash Acme</b>										
			VB-222	3/4	X	X				
			V-3	3/4	X	X				

	Orientation	Spare Parts Only	Model #	Sizes	U S C	I A P M O	A S S E	USC Approved Edition	USC Approved Date	USC Renewed Date
<b>B &amp; K Industries</b>										
			108-904	3/4	X	X				
			108-922	3/4	X	X				
<b>Conbraco Industries / Apollo Vlv</b>										
			38-304-AS	3/4	X	X				
			38-404	3/4	X	X				
<b>Hendrickson Brothers / Apollo Vlv</b>										
			J - 10	3/4	X	X				
<b>MIFAB</b>										
			HY-3000		X	X				
			HY-5000		X	X				
			HY-9000		X	X				
<b>Prier Products</b>										
			P-002	3/4	X	X				
<b>PT Ever Age Valves</b>										
			VB-1	3/4	X	X				
			VB-2	3/4	X	X				
<b>Watts Regulator</b>										
			8	3/4	X	X				
			8A	3/4	X	X				
			8B	3/4	X	X				
			8C	3/4	X	X				
			8AC	3/4	X	X				
			8BC	3/4	X	X				
			NF8	3/4	X	X				
			8P	3/4	X	X				
			S8	1/2	X	X				
			S8C	3/8	X	X				
<b>Wilkins/Division of Zurn</b>										

